



Global Finishing Solutions

800-848-8738



**Parts & Filters
Catalog**

www.globalfinishing.com

Part No.	Description	Notes	Qty. Per Box
----------	-------------	-------	--------------

INTAKE FILTERS**AdvanceCure Filters**

High loft, non woven expanded polyester. 99.84% average arrestance. Meets class 2 of the UL-900 classification.

FMI-ACCT2671	13" X 9.5"	Corner Tower with Lights	10
FMI-ACCT0811	10.5" X 7.75"	Small Corner Tower or Corner Tower w/out Lights	10
FMI-WBTA2362	17" X 7.5" X 5.25"	Side Wall Tower	10

Intake Pads

High efficiency filters extract 100% of visible dust and removes micron particles. Internal welded steel frame for easy fit with self-sealing gasket. Internal wire support and heat sealed seams prevent media flutter. Two plies of tough resilient polyester fibers with a better tackifier. U.L. listed, Class 2923X for flammability.

216-550	20" X 20" X 1"	Panel Intake Diffusion	24
217-011	16" X 25" X 1"	Panel Intake Diffusion	24
217-012	20" X 20" X 1"	Panel Intake Tacky (Same as 217-500)	24
217-012-Green	20" X 20"	Panel Intake Tacky, Green	24
217-013	20" X 25" X 1"	Panel Intake Tacky (Same as 217-501)	24
217-014	24" X 24" X 1"	Panel Intake Tacky, Rigid Metal Frame	24
217-200	20" X 48" X 2"	Intake Panel	8
AR-470-K20	20" X 20" X 2"	Air Inlet	20
PF-1000-K12	20" X 48"	Micro Clean (can be used on Mix Rooms)	12
PF-2000-K15	20" X 48"	Micro Clean	15
PF-425-K12	20" X 25"	Inlet Panel	12

Roll Media

Tacky Roll Media: Progressively structured high performance media made from synthetic fibers, resin bonded with special adhesive. The filters do not migrate paint particles. Self-extinguishing and have a 100% coating of fibers. U.L. Class 2 approved.

216-234	55" X 96"	Roll Media Tacky	2
216-237	55" X 120"	Roll Media Tacky	2
216-528	50" X 90'	ME1 Polyester Media, Tacky - A.J. DRALLE	1
216-531	50" X 30'	ME1 Polyester Media, Tacky - A.J. DRALLE	1

Controlled Air Flow (CAF): Filters made of high temperature media with a NEW layered design that provides significant improvement in the air speeds of the envelope around the vehicle. CAF layered media offers a blanket restriction of 70%, 30%, and 0%.

205213	75" X 30"	CAF Blanket	1
205214	75" X 36"	CAF Blanket	1
205215	75" X 120"	CAF Blanket	1
205216	75" X 149"	CAF Blanket	1
205219	81" X 144"	CAF Blanket	1
205220	81" X 36"	CAF Blanket	1
205225	75" X 90"	CAF Blanket	1

High Temperature Roll Media: Global Finishing Solutions only uses Hi Temp Compatible media. These filters are suitable for use with the Smart Cure type control systems, which generate higher heat during the cure cycles. Polyester fiber bonded with a polyvinyl chloride binder. Flame Retardant added.

305207	21" X 144"	Diffusion Media High Temperature (FMI21144)	1
305212	21" X 36"	Diffusion Media High Temperature (FMI2136)	1
305209	37-1/2" X 144"	Pyramid Downdraft/Semi Downdraft Diffusion Media High Temperature	1
305210	64" X 120"	6.75m - New Style Diffusion Media High Temperature	1
305211	64" X 149"	6.75m - New Style Diffusion Media High Temperature	1
305217	61" X 120"	6.75m - Old Style Diffusion Media High Temperature	1
305218	61" X 149"	6.75m - Old Style Diffusion Media High Temperature	1
305219	81" X 144"	Concept 1000 Sidedraft/Semi-Downdraft, Diffusion Media High Temperature (FMI81144)	1

Part No.	Description	Notes	Qty. Per Box
305221	81" X 108"	Truck and Other Sizes (FMI81108) Diffusion Media High Temperature	1
305223	64" X 108"	Truck and Other Sizes Diffusion Media High Temperature	1
305224	64" X 144"	Truck and Other Sizes Diffusion Media High Temperature	1
305213	75" X 30"	Ultra 2000 Extension Diffusion Media High Temperature	1
305214	75" X 36"	Ultra 2000 Extension Diffusion Media High Temperature	1
305215	75" X 120"	Ultra 2000 - 6.75m (FMI75120) Diffusion Media High Temperature	1
305216	75" X 149"	Ultra 2000 - 7.5m (FMI75149) Diffusion Media High Temperature	1
305220	81" X 36"	Ultra 2000 Extension (FMI8136) Diffusion Media High Temperature	1
305225	75" X 90"	Ultra 2000 Extension Diffusion Media High Temperature	1
300210	By Sq. Foot	Custom Cut Filters	

PREP PLENUM

High Temperature Roll Media:

Global Finishing Solutions only uses Hi Temp Compatible media. These filters are suitable for use with the Smart Cure type control systems, which generate higher heat during the cure cycles. Polyester fiber bonded with a polyvinyl chloride binder. Flame Retardant added.

305210	64" X 120"	Standard Prep Plenum Diffusion Media High Temperature	1
305215	75" X 120"	Ultra Prep Plenum Diffusion Media High Temperature	1

EXHAUST FILTERS

As a means to ensure that all GFS customers are provided with a superior paint exhaust filter designed to reduce costs associated with downtime and filter usage, GFS has developed the GFS Wave Filter Media:

- A GFS designed product
- High paint holding capacity
- High paint removal of all coating types, including clear coats and waterborne
- Exceptional depth loading capacity with minimal face loading
- Minimize particulate emissions for a cleaner exhaust stream for added protection of the exhaust fan and the outside environment

GFS Wave Filter Media literature with documented performance data has been attached for your convenience. Contact the GFS Parts & Filters Sales Department for questions, 800-848-8738, x 1440 or by email: parts@globalfinishing.com

GFS Wave Filter Media

The GFS Wave filter media is designed to depth load with minimal face loading, is the most versatile single-stage filtration media made for paint spray booths. The 99.6% particulate removal efficiency incorporates an excellent filtration capacity and longer filter service life. Material complies with requirements of UL 900, NFPA-33 and New York rule.

FIL-EPP-2020-W	20" X 20" GFS Wave filter media	30
FIL-EPP-2025-W	20" X 25" GFS Wave filter media	30
FIL-ERP-3024-W	30" X 24 ft. GFS Wave roll media	1
FIL-ERP-2030-W	20" X 30 ft. GFS Wave roll media	1
FIL-ERP-2430-W	24" X 30 ft. GFS Wave roll media	1
FIL-ERP-3630-W	36" X 30 ft. GFS Wave roll media	1
FIL-ERP-4030-W	40" X 30 ft. GFS Wave roll media	1
FIL-ERP-4530-W	45" X 30 ft. GFS Wave roll media	1
FIL-ERP-4830-W	48" X 30 ft. GFS Wave roll media	1
FIL-ERP-6030-W	60" X 30 ft. GFS Wave roll media	1

Part No.	Description	Notes	Qty. Per Box
Exhaust Pads:			
"Gold" polyester filter, a quality filter at a very competitive price.			
FIL-EPP-2020-G	20" X 20"		30
FIL-EPP-2025-G	20" X 25"		30
honeycomb style,			
PP-2020-K30	20" X 20"	Paint Pockets White	30
PP-2025-K30	20" X 25"	Paint Pockets White	30
Fiberglass Pads: Exhaust Filter Pads are designed exclusively to collect paint over spray. They are made from continuous filament glass fibers with an open weave pattern that allows particles to penetrate deep into the pad and hold more paint. U.L. Class 2 approved.			
217-001	20" X 20" X 2"	Fiberglass Pad	100
217-002	20" X 25" X 2"	Fiberglass Pad	100
Polyester Pads: Made from Multi-Layered, multi-density polyester. Approved and listed: Class 2 by Underwriters Laboratories and conform to OSHA Standards.			
217-006	20" X 20" X 1"	Polyester Pad, A.J. DRALLE	40
217-027	20" X 25" X 1"	Polyester Pad, A.J. DRALLE	25
Panel Filters: Final filter for Ovens.			
217-516	24" X 24" X 12"	Plywood Final Filter (Formally Blu-Surf)	1
217-518	24" X 24" X 12"	Glasflos Filter Final (Formally Blu-Surf)	1
SmartMedia: High efficiency filter made of a unique three-layer system, compressed and vacuum-packed for ultra compressibility to reduce freight cost, disposal cost and increased storage space.			
FLE-34-25-2020	20" x 20" x 2"	Smartmedia34* Tacky Polyester/Fiberglass	100
FLE-34-25-2025	20" x 25" x 2"	Smartmedia34* Tacky Polyester/Fiberglass	100
Roll Media:			
"Gold" polyester filter a quality filter at a very competitive price.			
FIL-ERP-3050-G	30" x 50 Ft Roll		1
FIL-ERP-3650-G	36" x 50 Ft Roll		1
FIL-ERP-4550-G	45" x 50 Ft Roll		1
FIL-ERP-4850-G	48" x 50 Ft Roll		1
FIL-ERP-6050-G	60" x 50 Ft Roll		1
Paint Pockets is a honeycomb style, polyester filter.			
PP-2050-K2	20" X 50'	Paint Pockets White	2
PP-2450-K1	24" X 50'	Paint Pockets White	1
PP-3050-K1	30" X 50'	Paint Pockets White	1
PP-3650-K1	36" X 50'	Paint Pockets White	1
PP-4850-K1	48" X 50'	Paint Pockets White	1
PP-6050-K1	60" X 50'	Paint Pockets White	1
SmartMedia: High efficiency filter made of a unique three-layer system, compressed and vacuum-packed for ultra compressibility to reduce freight cost, disposal cost and increased storage space.			
FLE-BL35-21X2	30" x 21" x 2"	Smartmedia35* Tacky Poly/Fiberglass Media	2
FLE-BL35-25X2	30" x 25" x 2"	Smartmedia35* Tacky Poly/Fiberglass Media	2
FLE-BL35-27X2	30" x 27" x 2"	Smartmedia35* Tacky Poly/Fiberglass Media	2
FLE-BL35-30X2	30" x 30" x 2"	Smartmedia35* Tacky Poly/Fiberglass Media	2
Fiberglass Roll Media: Available in 1" – 2" thickness and 24" to 84" width. U.L. Class 2 approved.			
217-016	40" X 2" X 75'	Fiberglass Roll Media	1
217-017	30" X 2" X 75'	Fiberglass Roll Media	1
217-019	42" X 2" X 75'	Fiberglass Roll Media	1
217-020	24" X 2" X 75'	Fiberglass Roll Media	1
217-021	36" X 2" X 75'	Fiberglass Roll Media	1
217-022	48" X 2" X 75'	Fiberglass Roll Media	1
217-023	60" X 2" X 75'	Fiberglass Roll Media	1
217-024	72" X 2" X 75'	Fiberglass Roll Media	1

Part No.	Description	Notes	Qty. Per Box
217-025	84" X 2" X 75'	Fiberglass Roll Media	1
217-029	42" X 2" X 300'	Fiberglass Roll Media	1
217-080	60" X 2" X 300'	Fiberglass Roll Media	1
217-088	48" X 2" X 300'	Fiberglass Roll Media	1
217-089	84" X 2" X 300'	Fiberglass Roll Media	1
217-095	36" X 2" X 300'	Fiberglass Roll Media	1
217-510	48" X 250 Yds	Roll Media (Formally Blu-Surf)	1

High Performance Polyester Roll Media: Designed for High Production Applications. Features High Capacity Capture and High Efficiency Air Pollution Control. U.L. Listed Class 2 Approved.

216-113	42" X 1 1/2" X 30'	Polyester Media	1
217-030	24" X 1" X 50'	Polyester Media	1
217-032	48" X 1" X 50'	Polyester Media	1
217-036	36" X 1" X 75'	Polyester Media	1
217-037	48" X 1" X 75'	Polyester Media	1
217-038	60" X 75'	Polyester Media	1
217-039	72" X 2" X 50'	Polyester Media	1
217-043	30" X 2" X 50'	Polyester Media	1

AIR MAKE-UP

Filters to clean air entering AMU's, fabric and cleanables.

216-120	24" X 24" X 2"	Cleanable - EZ KLEEN Aluminized	1
216-121	20" X 20" X 1"	Cleanable - EZ KLEEN Aluminized	1
216-122	16" X 25" X 1"	Cleanable - EZ KLEEN Aluminized	1
216-124	20" X 25" X 1"	Cleanable - EZ KLEEN Aluminized	1
216-125	20" X 20" X 2"	Cleanable - EZ KLEEN Aluminized	1
216-126	16" X 25" X 2"	Cleanable - EZ KLEEN Aluminized	1
216-128	20" X 25" X 2"	Cleanable - EZ KLEEN Aluminized	1
216-129	12" X 12" X 1"	Cleanable - EZ KLEEN Aluminized	1
AR-9022-K12	20" X 20"	Air Make-Up Panel	12
AR-9026-K12	20" X 25"	Air Make-Up Panel	12
AR-9027-K12	16" X 20"	Air Make-Up Panel	12
FS-2072-K6	20" X 72"	Burner Filter	6
PF-500-K6	20" X 25" X 10"	Secondary Extract Filter, Cube	6
PF-879-K2	25" X 75"	Air Make-Up Panel	2

POWDER & DUST FILTERS

Bag Filters

Pocketed filter, individual pocket edges and internal dividing bars are heat sealed for no stitch holes. Pockets are assembled using individual modular design. The exceptionally high dust holding capacity provides long life.

216-504	20" X 20" X 15"	Fiberbond - 2 Pocket Primary	1
216-505	20" X 20" X 12"	6 Pocket Final, Same as 216-515	1

Pad

Medium efficiency pleated panel filter. Contains up to 16 pleats per linear foot. Radial pleat construction for minimum pressure. Available in U.L. Class 2 or 1, in 4", 2" and 1" depths. Nonwoven cotton/synthetic blend media.

216-003	20" X 20" X 4"	Pleated FARR 30/30 CL2, Powder Booth & Dust Collection	6
216-011	20" X 20" X 2"	Pleated FARR 30/30 Panel Filter, Powder Booth & Dust Collection	1
216-013	20" X 25" X 2"	Pleated FARR 30/30 Panel Filter	1

Cartridge

Cartridge filters are used for Powder Recover booths as well as uses in safe air dust collection systems.

216-202	26" X 12 3/4"	Metal & Wood - Fire Retardant, Powder Booth & Dust Collection	1
216-203	26" X 12 3/4"	Cellulose, Powder Booth & Dust Collection	1
216-204	26" X 12 3/4"	Fibrous, Powder Booth & Dust Collection	1

Part No.	Description	Notes	Qty. Per Box
----------	-------------	-------	--------------

2 and 3 STAGE FILTRATION

Three stage system specifically designed for the collection of aerospace chromate coating overspray, virtually eliminating dangerous chromium emissions up the stack. *Exceeds E.P.A Method 319: A complete set of test results from an accepted independent laboratory is available on request. Test results shall meet or exceed the minimum requirements of E.P.A. Test Method 319 for Aerospace Manufacturing and Reworking (NESHAP).*

Roll Media

Stage 1: Multi-Layered Polyester Media. The air-entry side is constructed of a mixture of lofted denier fiber. The air-leaving side is comprised of a mixture of heavily needled media to densify. Media weighs 1.2oz per sq. ft.

216-502	36" X 50'	CPA - Paint Arrestor Roll Media	1
216-503	45" X 50'	CPA - Paint Arrestor Roll Media	1
216-539	45" X 75'	CPA - Paint Arrestor Roll Media	1

Pad

Stage 2: The Filter Panel is constructed of two different layers of tackified polyester media, sealed together so the tackified layers of each media touch in the center. The air-entry layer is constructed of multi-layered, multi-density polyester with heavy, non-migrating tackifier on the air-leaving side. The air-leaving media is a heavily needled polyester, densified up to ¼" thick, tackified on the air-entry side with a weight of 0.42oz per sq. ft.

216-501	20" X 20" X 1"	MEPT Panel	24
216-5011	20" X 20"	CPA, Multi-Layer & Density	24
216-517	24" X 24" X 1"	MEPT Panel Filter	24
216-551	24" X 24" X 1"	SFR Panel Filter	24

Bag Filters

Stage 3: the 6-Pocket Bag Filter, is constructed of a composite of pre-filter, melt blown and spun bound polyester fibers. The pockets are sewn together on the perimeter with two heat seals, forming three air channels in each bag pocket. The bag pockets on the metal support is inserted into a galvanized metal header. The galvanized header contains an acceptable sealing agent inside of each header to eliminate the possibility of paint bypass within the filter.

216-500	20" X 20" X 15"	2 Pocket, CG100	1
216-505	20" X 20" X 12"	6 Pocket, XFP-6000, Same as 216-515	1
216-516	24" X 24" X 12"	6 Pocket, XFP-6000	1

AUTOMOTIVE

Pocket & Cartridge

Final Filters on automotive lines.

33033	24" X 24" X 2"	Prep Cartridge	4
405213	23 1/4" X 47" X 9"	6 Pocket - Green	4
405214	23 1/2" X 47"	6 Pocket - Green - Screen included (pre/post position)	4
405216	19 1/4" X 37" X 4"	Cartridge - High Capacity	4
405217	19 3/4" X 37" X 4"	Cartridge - High Capacity	4
405219	19 1/2" X 36 3/4"	6 Pocket - High Capacity	4
405220	22 1/2" X 35 5/8"	4 Pocket, 8 1/4" Pocket - Space Saver (ea.)	1

Fiberglass Roll Media

Available in 1" – 2" thickness and 24" to 84" width. U.L. Class 2 approved.

500200	20" X 2 1/2" X 300'	Fiberglass Roll Media - 22 gram	1
500250	25" X 2 1/2" X 300'	Fiberglass Roll Media - 22 gram	1
500300	30" X 2 1/2" X 300'	Fiberglass Roll Media - 22 gram	1
500360	36" X 2 1/2" X 300'	Fiberglass Roll Media - 22 gram	1
500400	40 1/2" X 2 1/2" X 300'	Fiberglass Roll Media - 22 gram	1

PAINT ARRESTOR - Paper

Paper Mesh: The mesh filters are comprised of numerous layers of U.L. Class 2 approved kraft media.

216-088	20" X 20" X 1"	Mesh - Columbus Supra I	60
216-089	20" X 25" X 1"	Mesh - Columbus Supra I	70
216-095	42" X 2" X 30'	Paper - Columbus Supra II	1

Part No.	Description	Notes	Qty. Per Box
Paper Mesh Polyester Backing: These filters are highly efficient and are known for their high dust holding capacity. They are constructed of seven layer expanded paper with a white polyester backing.			
EF-2020-K40	20" X 20"	Mesh with Polyester Backing (216-092)	40
EF-2025-K40	20" X 25"	Mesh with Polyester Backing (216-093)	40
EF-3125-K2	31" X 25'	Mesh with Polyester Backing	2
EF-4253-K1	42" X 53'	Mesh with Polyester Backing	1
Pleated Cardboard: The unique collapsible pleated filter with round holes captures paint particles outside the air stream in the holding pockets.			
PEF-330-K1	3' X 30'	Pleated Cardboard with Round Holes	1
PEF-330-K3	3' X 30'	Pleated Cardboard with Round Holes	3
PEF-330-K60	3' X 30'	Pleated Cardboard with Round Holes	60

MISCELLANEOUS FILTER COMPONENTS

216-111	Filter Clip	C-78-2 FARR
216-499	Filter Clip	1" - for 216-504, 216-505 Filter
217-003	20" X 20"	Filter Grid, 4 Tips per Grip, not included (DF-9758-K1)
217-004	20" X 25"	Filter Grid, 4 Tips per Grip, not included (DF-9759-K1)
217-050	Filter Insertion Tool	Pizza Cutter (29-2441, PPZ-Tool)
248-016	Rubber Tips	For 217-003 & 217-004
39088	Frame Hanger	Nylon Frame Hanger
39090	Frame Corner	Nylon Frame Corner
39092	Frame Nut	Brass Frame Nut
BH850	Frame Bolt	Filter Frame Bolt (8MM X 50MM)
DVA-5371	Filter Retaining Clip	
DVA-5372	Snapper Bar	40" Roll Media
DVA-5373	Support Strip	20" Roll Media
FHG8-0480	Filter Hook	48" Sections (216-305)
JSG8-0480	J-Strip	48" Sections (414-052)

Additional Filter Sizes and Pricing Available, Please Call or E-Mail Your Specifications.

Part No.	Description	Notes
ELECTRICAL COMPONENTS		
Breakers/Fuses		
103-023	Fuse	250V 15 Amp Class RK5
103-024	Fuse	250V 20 Amp Class RK5
103-102	Fuse Block	250V 30 Amp 1 Pole
103-103	Fuse Block	250V 30 Amp 1 Pole
103-104	Fuse Block	250V 30 Amp 1 Pole
103-106	Fuse Block	250V 60 Amp 2 Pole
103-107	Fuse Block	250V 60 Amp 3 Pole
103-110	Fuse Block	250V 100A RK5 3 Pole
103-112	Fuse Block	600V 30 Amp 1 Pole
103-113	Fuse Block	600V 30A 2 Pole Class H
103-114	Fuse Block	600V 30A 3 Pole Class H
103-191	Fuse Block	600V 2 Amp Class CC
105-018	Transformer	1000VA Open 1PH 480-240/120V
106-048	Fuse Holder	Flip Down Style - Curetronic
118-247	Breaker (new style)	2.5-4 Amps (GV2-ME08)
118-248	Breaker (new style)	4-6 Amps (GV2-ME10)
118-249	Breaker (new style)	6-10 Amps (replaces GV2-ME14)
118-250	Breaker (new style)	9-14 Amps (GV2-ME16)
118-255	Breaker (new style)	25-40 Amps (GV3-ME40)
127-338	Distribution Block	9080LBA365212
GV1-A01	Auxiliary Contact Block	USE pn: 118-271
GV2-AN11	Auxiliary Contact Block	GV2 or GV3 Series Breakers (GVAN11)
GV2-ME20	Breaker (new style)	13-18 Amps
GV2-ME21	Breaker (new style)	16-20 Amps
GV2-ME22	Breaker (new style)	20-25 Amps
GV2-ME32	Breaker (new style)	25-32 Amps
GV2-P22	Breaker (new style)	20-25 Amps
GV2-P32	Breaker (new style)	24-32 Amps
GV3-ME25	Breaker (new style)	16-25 Amps
GV3-ME63	Breaker (new style)	40-63 Amps
Z1.299.4053.0	Fuse Holder	with 6 Amp Fuse
Relays		
106-056	Relay 24 Volt	DC Ice Cube 4 Pole - Curetronic CP
106-057	Relay Base	14 Pin Ice Cube - Curetronic CP
111-001	Relay Ice Cube	3 PDT
111-049	Relay Socket	11 PIN
118-103	Ice Cube Relay	10 A DPDT 24 V - RMIA2 - I0024 VAC
118-104	Relay O/L IEC	Range .63-1
118-116	Relay 50 Amp (new style)	Auxiliary Contact N/O & N/C (LC1D32B7)
118-117	Relay 40 Amp (new style)	Auxiliary Contact N/O & N/C (Replaces LC1D2510B7 & LC1D25B7)
CA2KN22B7	Relay 10 Amp	2ea N/O 2 ea N/C
LC1D1201B7	Relay 25 Amp	Auxiliary Contact N/C
LC1D1210B7	Relay 25 Amp OBSOLETE	Auxiliary Contact N/O (use LC1D12B7)
LC1D12B7	Relay 25 Amp (new style)	Auxiliary Contact N/O & N/C (Replaces LC1D1210B7)
LC1D1801B7	Relay 32 Amp OBSOLETE	Auxiliary Contact N/C (use LC1D18B7)
LC1D1810B7	Relay 32 Amp OBSOLETE	Auxiliary Contact N/O (use LC1D18B7)
LC1D18B7	Relay 32 Amp (new style)	Auxiliary Contact N/O & N/C (Replaces LC1D1801B7 & LC1D1810B7)
LC1D3210B6	Relay 50 Amp	Auxiliary Contact N/O

Part No.	Description	Notes
----------	-------------	-------

Adder Blocks

LA1DN11	Adder Block	1 N/O 1 N/C
118-154	Adder Block	SQD Contact AUX IEC Contactors 2 N/O (LA1DN20)
LA1DN22	Adder Block	2 N/O 2 N/C
LA1DN31	Adder Block	3 N/O 1 N/C
LA1DN40	Adder Block	4 N/O
LA2DT2	Adder Delay Timer	1- 30 sec

Overloads

118-105	Overload (new style)	1-1.7 Amps (replaces LRD06)
118-107	Overload (new style)	1.6-2.5 Amps (LRD07)
118-108	Overload (new style)	2.5-4 Amps (replaces LRD08)
118-109	Overload (new style)	4-6 Amps (replaces LRD10)
118-110	Overload (new style)	5.5-8 Amps (replaces LRD12)
118-111	Overload (new style)	7-10 Amps (LRD14)
118-112	Overload (new style)	9-13 Amps (575V-10HP) (LRD16)
118-115	Overload (new style)	23-32 Amp (LRD32)
118-120	Overload	37-50 Amp (replaces LR2D3357)
118-121	Overload (new style)	48-65 Amp (LRD3359)
125-029	Overload	HTR SQD B 11.5
125-030	Overload	HTR SQD B 12.8
125-032	Overload	HTR SQD B 15.5
125-033	Overload	HTR SQD B 17.5
125-034	Overload	HTR SQD B 19.5
125-035	Overload	HTR SQD B 22
LR2D1306	Overload	1-1.6 Amps
LR2D1308	Overload	2.5-4 Amps (use 118-108)
LR2D1310	Overload	4-6 Amps
LR2D1312	Overload	5.5-8 Amps
LR2D1314	Overload	7-10 Amps
LR2D1316	Overload	9-13 Amp (575V-10HP)
LR2D1321	Overload	13-18 Amp
LR2D1322	Overload	17-25A
LR2D13X6	Overload	1.25-2 Amps
LR2D2353	Overload	23-32 Amp
LR2D3355	Overload	30-40 Amp
LRD21	Overload (new style)	12-18 Amps
LRD3357	OBSOLETE	37-50 Amp (use 118-120)
LRD35	Overload (new style)	30-38 Amp

Switches / Contacts / Coils

117-072	Pressure Switch	3-21" MAN RES. 1/4" NPT
117-427	Control High Limit	
117-543	Air Flow Switch	JD-2 Grey, (.1-4)
117-551	Pressure Switch	C6097A-1020 (Blu-Surf)
117-553	Pressure Switch	High Gas C6097B1044 (Blu-Surf)
117-713	Air Flow	JD-2 Blue Spring .07-1.7 (117-538)
118-154	Contact	Auxiliary IEC Contactors
118-271	Contact	MSP Aux Contact INC, Fits MSPS Type GV3
127-191	Contact	8910DPA13V02
127-228	Contact Block	9001KA2
127-229	Contact Block	9001KA3
127-234	Switch	9001KR1U Push Button

Part No.	Description	Notes
127-236	Selector Switch	9001KS11B
127-260	Switch	Class 1 XP 9007 CR53 B2
127-292	Selector Switch	IEC 22MM 2 POS N.O.
127-299	Selector Switch	IEC 3POS Head Only
127-307	Contact Block	IEC Normally Open (ZBE101)
127-308	Contact Block	IEC Normally Closed (ZBE102)
127-310	Switch (new style)	Red Stop Button (ZB4BC4)
127-369	Aux. Contact	9999D20, 2 N.O.
1640-0	Pressure Switch	.01-0.2" WC
242-004	Pressure Switch	.02 - 2.0" WC
242-012	Explosion Proof Switch	with Plunger
242-014	Proximity Switch	Class 1 Division 2
242-122	Switch Low Air Flow Pressure	.27" (replaces 242-123)
260-168	Thermo Switch	842518
37093	Control Panel Key	Plastic/Door Lock
600-003	Safety Shut-Down Switch	Dirty Filter
600-004	Safety Shut-Down Switch	Dirty Filter with Alarm
600-005	Safety Shut-Down Switch	Dirty Filter-Explosion Proof, includes Switch and Solenoid valve
600-035	Switch	Gun Hanger-Explosion Proof, includes Switch, Lever Arm, Bracket and Rod
650-001	Explosion Proof Switch	On/Off
650-002	General Purpose Switch	On/Off
650-010	Battery Ballast Back-Up Kit	For 4FT. Lights
HPSK-PM Kit	High Pres. Kit	SW. Kit & Conduit Pipe Mount
KIT-HT-LS	Limit Switch Assy.	For Use in All Ovens
KK-4500	Airflow Switch Kit	.05 - 1.0" WC. SPDT
LGW3A2	Negative Pressure Switch	"B9 Switch" .4 - 3 MBAR
LX1D2B6	Coil	24VAC Series LC1D12 & D18
LX1D4B6	Coil	24VAC Series LC1D25 & D32
LX1D4M6	Coil	220VAC Series LC1D25 -D32
LX1D4T6	Coil	480VAC Series LC1D25 -D32
Q99-900901	Control panel Key	Metal
SS-9861	Push Button Station	General Purpose
SS-9905-S	Light Switch	(2510-FG1) used on Mix Room
ZB2BC4	Switch	Red Stop Button
ZB2BD5	Switch	3 Pos. Spr. Return to Ctr.
ZB2BE101	Contact Switch	N/O
ZB2BE102	Contact Switch	N/C
ZB2BG6	Switch	Key Start Spring Return
ZB2BZ101	Mounting Collar	w/ 1 N/O Contact
ZB4BD2	Switch (new style)	2 Position Maintained
ZB4BD5	Switch (new style)	3 Pos. Spr. Return to Ctr.
ZB4BG6	Switch (new style)	Key Start Spring Return
ZB4BZ101	Mounting Collar (new style)	w/ 1 N/O Contact

Main Disconnect Isolators

39065	Isolator	16 Amps Main Disconnect
3906740A	Isolator (Old panels)	40 Amps 6 Pole Round
3906763A	Isolator (Old panels)	63 Amps 6 Pole Round
39068	Isolator H.O. groups	125 Amps 6 Pole Rectangular
39076	Isolator for SBC & E/M	63 Amps 6 Pole Rectangular
39077	Isolator for SBC & E/M	80 Amps 6 Pole Rectangular
109-081	Non-Fused Disc. SW	60 Amp
109-083	Non-Fused Disc. Handle	16-100 Amp

Part No.	Description	Notes
109-084	Non-Fused Disc. SW	Shaft .2 X .2 X 7.1
194E-A63-1753	Isolator	Main 3P Block, Switch Body
194E-A63-NP	Isolator	Side Blocks
194E-A80-1753	Isolator	Main 3P Block, Load Switch
194E-A80-NP	Isolator	Side Blocks, Pole Fourth
9070T200D4	Isolator	XMTR277-120V 200va (9070FSC1)
LA 2-G 3393	Isolator	Shaft Extension - Metal Short Shaft

Boards/E-Proms

9CA0450	SBC Cable	Shielded for PT, Sold by the Foot
9CA0506	SBC Cable	Sold by the Foot
9TE0290	SBC Plus	Master & Slave (Pair)
9TE0290-M	SBC Plus	Master Board (Direct or Indirect)
9TE0290-S	SBC Plus	Slave Board (Direct or Indirect)
9TE0295	SBC 0-10V DC Module	SBC Slave Board
CXP8	Remote Panel	Curetronic Control Panel
CXP9	Remote Panel	Curetronic Terminal Input Device
CXP8-TS-CX100K	Remote Panel	Temperature Probe and Wire for Remote
SBC PLUS 1/GF	SBC Plus 1	Old Style Control Panel
SBC PLUS 1/GF-FD	SBC Plus 1	New Style Control Panel
SBCM	SBC Master Board	Direct & Indirect
SBCS	SBC Slave Board	Use 9TE0290
SBCS-D	SBC Slave Board	
WESBPM03	SBC PLUS E-Prom	Discontinued
WESBPS03	SBC PLUS E-Prom	
WESMC-M20	SBC Master E-Prom	Smart Cure (WE SBCM 20)*
WESMC-S20	SBC Slave E-Prom	Smart Cure (WE SBCS 20)*

* If replacing a Non Smart Cure E-Prom to a Smart Cure E-Prom, WE SBCM-20 and WE SBCS-20 will need to be replaced.

Starters & Timers

127-205	Starter	8911DPS013V02
39064	Hour Counter	24Vac
39071	Bake/Cool Timer	Crouzet 24 Vac
111-022	Timer	120V Multifunction 2PDT
111-030	Timer	Process Solid State
117-670	Timer	Purge 10SEC. ST7800A-1021
127-207	Starter	8911DPS033V02
127-219	Start/Stop	General Purpose, Nema 1 SQD
127-221	Start/Stop	Explosion Proof, Nema 7&9

Regulators

117-567	Regulator	1.0 NPT 143-80-2
117-577	Regulator Pilot	.5 NPT 325-3-44

INDIRECT FIRE COMPONENTS**Fire Structural Components**

16330	Low Press Switch	2-16" W.C.
16345	Hi Press Switch	2-16" W.C.
39069	ITM Temp. Controller	Direct (Logic)
39070	ITM Temp. Controller MPS	Indirect Fire (formerly Ascon)
39072	ITM Temp. Controller MPS	Direct Fire (formerly Ascon)
39073	High/Low Limit	248' F Maximum
91100	Ball Joint	Rod Connections
111-100	Sequence Controller	3 Output 30 Sec.

Part No.	Description	Notes
111-101	Sequence Controller	6 Output
111-102	Sequence Controller	10 Step
111-103	Sequence Controller	20 Step
117-192	Flame Safety Relay	Amplifier (R7847A-1082)
117-193	Flame Safety Relay	Electronic
117-194	Flame Safety Relay	Base Electronic
117-232	Flame Safety Relay	Amplifier - Rupp (R7847A-1025)
117-325	Temp Process Controller	1/8 DIN
117-667	Sub Base	(Formally Blu-Surf, Q7800B-1003)
9041899	Lower Frontal Panel	Required with New Heat Exchanger
9041900	Middle Frontal Panel	Required with New Heat Exchanger
9041901	Upper Frontal Panel	Required with New Heat Exchanger
9GU9260	Heat Exchanger Gasket	Stovepipe Gasket (1 & 1.5MBTU)
C7027A1023	U.V. Scanner	0-215°F (for LP Gas)
Q7800B1011	Sub Base	(RM7895)
R4795A1016	Flame Safeguard	J30 & J50
R7289A1004	Amp. Rectification	(R4795)
R7290A1001	Amp. Ultra Violet	(R4795)
R7849A1023	Amp. Ultra Violet	(RM7895 .w. U.V. Scanner) (117-406)
RM7895A1014	Flame Safeguard	J30 & J50
RV20L	Pilot Regulator / Maxitrol	3/8" Inlet @ 2.8 - 5.2 W.C. Output
RV61	Main Regulator / Maxitrol	1.0" Inlet @5"-12" W.C. Output
RV81	Main Regulator / Maxitrol	1.5" Inlet @5"-12" W.C. Output (117-582)
ST71A1018	Purge Timer 30S	(R4795)
ST7800A1062	Purge Timer 90S	
V4943A1011	Gas Valve	1" / 120Vac

Fire Control Components

39063	Temperature Sensor	PT-100 (100 - 140 OHM)
117-300	Thermocouple Wire	Type K 2 Wire, Sold by the Foot
117-303	Thermocouple	Type J Miniature Head
117-413	Thermocouple	Type JJ 12"
117-414	Thermocouple	Type KK 6"
117-415	Thermocouple	Type KK 8"
117-416	Thermocouple	Type KK 12"
117-417	Thermocouple	Type KK 24"
117-420	Thermocouple	Type KK 6" High Temp
117-425	Temp Controller	Series 104 WATLOW
117-437	Temp Controller	6000 61111010 MIC
117-438	Temp Controller	6000 6131101 MIC
117-456	Temp Controller	E5AX-A-FMF
117-684	Thermocouple Wire	Type K 20GA, Sold by the Foot
650-008	Thermocouple	Type J KIT

DIRECT**Fire Components**

117-073	Low Pressure Switch	3.0" - 21.0" W.C. (C645A1030)
117-199	Flame Rod	Rupp RS1032
117-205	Spark Rod	Rupp SR5106
117-404	Amplifier Rectification	Same as R7847A1033
117-810	Ignition Transformer	120Vac/14KV (Q652B 1006)
2E462	Air Pressure Switch	0.5 - 12" W.C. Range
90-18117	Flame Rod	7" Length
90-23739	Spark Igniter	1.5" Gap
C645B1047	High Pressure Switch	3.0" - 21.0" W.C.

Part No.	Description	Notes
ST7800A1039	Purge Timer 30s	(RM4895) replaces 117-674
SV311A02N6CF5	Pilot Valve	ASCO 3/8" Inlet

Maxitrol

117-010	Signal Conditioner	A200
117-012	Amplifier	A1014
117-019	Sensor	TS114
117-021	Sensor	TS114B
117-032	Remote Selector	TD114
117-034	Remote Selector	TD114B
117-049	Remote Selector	TD294E-609-0818

Power Flame Components

17101	Air Switch	Antunes SPDT
32000	Ignit. Transformer	120/6000V
117-112	Pilot Valve	1/4" 120VAC (20245)
117-121	Ignition Transformer	I1-A06-SA6
117-122	Ignition Cable	I1-GTO-15
117-123	Control Module	CM101/KDI Gas Train
117-131	Valve Proving Module	VPS 504
117-328	High Temp. Limit Control	Open Type
117-403	Amplifier Flame	8 SEC, R7847A-1025
117-404	Flame	2 OR 3 SEC, R7847A-1033
117-471	Power Supply Module	61-3356 FIREYE
117-492	Gauge Pressure	0-15 IN.
117-508	Pilot Igniter Tip	4027-01-T2425
117-509	Spark Plug	10MM - R240-2465
117-511	Auburn Flame Rod	FRS 4-6,13093-3
117-516	Eclipse Spark Plug	13047-1
117-517	Auburn Spark Igniter	I-25-3, 17652
39070	Item Controller MPS	Indirect Fire

PNEUMATICS**Actuators & Components**

36267	Interlock	Ecomony Spray Gun Interlock
117-588	Valve	FM 120V .25 NPT 8040H7
117-599	Valve	JSF821435C, ASCO,120V, 60HZ
117-600	Solenoid Vent	V4297S-1003 For Small Valve Body
117-611	Valve Blocking Body	V5097A-1004
117-613	Valve Block Actuator	V4055A-1007
117-614	Valve Block Actuator	4055A-1031
117-615	Valve Block Actuator	V4055D-1035
238-635	Pulse Valve	Pulse 1.0 THD Comp. Fitting
238-708	Diaphragm Kit	1" Pulse Valve
238-718	Pulse Valve	1.0 with Pilot Control 120
242-019	Air Solenoid Valve	1/2" 3-Way Valve with Muffler
242-107	Direct Drive "Floating"	24 Vac for Cabin Pressure (NMB24-3)
242-110	Actuator Air Damper	24V Floating (S1 - DALLAS)
242-114	Actuator Air Damper	24V/2-10 VDC, Must Use Switch 242-115 (NM24-MFT)
242-115	Auxiliary Switch	Add-On 1 SPDT(S1A) (Use with 242-114)
242-120	Actuator Air Damper	120V Spring Return
242-124	Air Solenoid Valve	3/4" 3-Way Valve (vented) 120V Coil, N.C UL .75 FPT
242-200	Valve	JSF-8210-G2 120V .5 (117-598)

Part No.	Description	Notes
242-425	Actuator Modulating	
8210G15	Air Solenoid Switch	24 Vac 1/2" NPT
AF24-SR	Direct Drive "Spring Return"	24 Vac & 2-10V DC for Burner
SN2	Auxiliary Switch (NM Series)	02ea Single Pole Double Throw

Pneumatic Components & Accessories

242-179	Photohelic Gauge	Range .5-0-.5 W.C .
4ZK76	Regulator / Filter	All Applications
650-003	Pneumatic On/Off System	
NVFS1120-9DZ	SMC Electric Valve	24 Vac-Remote Located
V6EPB-B-S-LF	Flow Switch	(Inline) SPDT .18-2.7 SCFM
XH-9878	Gradual Switch	Operates Pneumatic Motor
XH-9879	Pneumatic Drive Motor	8 - 13 PSI Range

VFDs (AUTOMOTIVE)

134-069	575V	20-30HP VFD
134-071	575V	40HP VFD
134-073	575V	60HP VFD
134-240	575V	1HP VFD
134-241	575V	2HP VFD
134-242	575V	3HP VFD
134-243	575V	5HP VFD
134-244	575V	7.5HP VFD
134-245	575V	10HP VFD
134-250	200-240V	1HP VFD
134-251	200-240V	2HP VFD
134-252	200-240V	3HP VFD
134-253	200-240V	5HP VFD
134-254	200-240V	7.5HP VFD
134-255	200-240V	10HP VFD
134-256	200-240V	15/20HP VFD
134-260	200-240V	25HP VFD
134-261	200-240V	30HP VFD
134-262	200-240V	50HP VFD
134-265	380-480V	1HP VFD
134-266	380-480V	2HP VFD
134-267	380-480V	3HP VFD
134-268	380-480V	5HP VFD
134-269	380-480V	7.5HP VFD
134-270	380-480V	10HP VFD
134-271	380-480V	15/20HP VFD
134-273	380-480V	25HP VFD
134-274	380-480V	30HP VFD
134-275	380-480V	40HP VFD
134-276	380-480V	50HP VFD
134-500	230 Volt Drives	7.5 HP ATV31HU55M3X
134-501	230 Volt Drives	10 HP ATV31HU55M3X
134-502	230 Volt Drives	15 HP ATV31HU55M3X
134-503	460 Volt Drives	7.5 HP ATV31HU55M3X
134-504	460 Volt Drives	10 HP ATV31HU55M3X
134-505	460 Volt Drives	15 HP ATV31HU55M3X

Part No.	Description	Notes
NON ELECTRICAL COMPONENTS		
Pneumatic Components		
122-800	Camozzi (Coil) Cap	For Electrical Connections
1411-04-NT	Nylon Hose 100' Roll	.25" O.D. / .18" I.D.
2000-0	Magnahelic Gage	0 - 0.5" W.C. with Mount Kit
242-001	Manometer (Draft Gauge)	neg.05 to 3" W.C. with Mount Kit (Same as DF-483 & 242-054)
242-003	Tube Kit	Dwyer A-602
242-005	Static Pres. Tip	For .25 Steel Tube
242-007	Tubing Polyethylene	.250 OD .170 ID, Sold by the Foot
242-024	Solenoid Pilot	120V/60HZ, .125 FPT
242-038	Magnehelic Gauge	Range 0-1
242-166	Oil Red 3/4 oz.	For Manometer (Same as A-101)
242-236	Muffler Exhaust Port	.75 Pneumatic, Sintered Brass Muffler
358-015 KIT	Camozzi Air Valve Kit	(-02) Fittings and Adapters
358-015B	Camozzi Air Valve	24Vac - Remote Located, Body Only
358-990N	Camozzi Manual Valve	5-way 2-Position Maintained
39079	Grey Nipple	For Hose Connection in Cabin
410-21-120VAC	Camozzi Electric Valve	120Vac - Solenoid Included
6560-04-00	Camozzi Connector	1/4" Hose "Y" Coupler
6590-04-00	Camozzi Connector	1/4" Bulkhead Union
7A50005	Camozzi Cylinder	40M-2L040-A0300 12" Stroke Clevis & Flow Controls Incl.
9EL0125	Camozzi Electric Valve	24Vac - Mounted on Cylinder
9GR9016	Camozzi Cylinder	24S2A25A100S04 4" Stroke Clevis & Flow Controls, Mechanical End Stops
A7B 24V	Camozzi Coil 24Vac	Fits only Camozzi Valves
GA-9706	Magnahelic Gage	"Paint Zone" with Mount Kit

Other Components

20450	J-30 Diffuser	with Hardware
37076	Heat Exchanger	1 Million BTU Capacity
39096	Sight Glass Assembly	Glass, Gaskets, Hardware (Indirect)
05412	Burner Motor	J30 & J50
37076G	Heat Exchanger Gasket	Square w/2 Holes (1 & 1.5MBTU)
37076HC	Heat Exchanger	1.5 Million BTU Capacity
37076RG	Heat Exchanger Gasket	Round (1 & 1.5MBTU)
39108	Sight Glass	with 2 Gaskets (Direct)
CR1-OS	Powerflame Burner	Oil Burner 1M BTU
F30031	Nat. Gas Pilot Assy.	Fim. Rod & Electrode Incl.
F30050	LP Gas Pilot Assy.	Ultra Violet (Scanner not included)
J20471	J-50 Diffuser	with Hardware
J30A-10	Powerflame Burner	Nat. Gas/LP 1M BTU 55" x 48" x 38", 200
M11010	Orifice	J30 LP Gas 1/2"
M11012	Orifice	J30 Nat Gas 5/8"
X04210	Ignition Electrode	J30 & J50 (for LP & Natural Gas)
X04225	Flame Rod	J30 & J50 (for Natural Gas)

Part No.	HP	Notes	Part No.	HP	Notes
CONTROL PANELS:					
UL 508 & CUL Listed - NEMA-1 Enclosure Includes panel mounted disconnect, magnetic motor starter with overloads, fused branch circuits, panel mounted controls, lighting transformer based on panel. For single motor systems. Some booths may require custom panels based on the fan configuration and number of motors. Standard panels for a maximum of 6 - 4 tube light fixtures.					
CP1-031212	1/3	120V, 1 PH, 2 Wire, 6LT	CP1-31212	3	115V, 1 PH, 2 Wire, 6LT
CP1-032033	1/3	208V, 3 PH, 3 Wire, 6LT	CP1-32033	3	208V, 3 PH, 3 Wire, 6LT
CP1-032034	1/3	208V, 3 PH, 4 Wire, 6LT	CP1-32034	3	208V, 3 PH, 4 Wire, 6LT
CP1-032313	1/3	230V, 1 PH, 3 Wire, 6LT	CP1-32213	3	220V, 1 PH, 3 Wire, 6LT
CP1-032333	1/3	230V, 3 PH, 3 Wire, 6LT	CP1-32333	3	230V, 3 PH, 3 Wire, 6LT
CP1-032334	1/3	230V, 3 PH, 4 Wire, 6LT	CP1-32334	3	230V, 3 PH, 4 Wire, 6LT
CP1-034833	1/3	480V, 3 PH, 3 Wire, 6LT	CP1-34833	3	460V, 3 PH, 3 Wire, 6LT
CP1-034834	1/3	480V, 3 PH, 4 Wire, 6LT	CP1-34834	3	460V, 3 PH, 4 Wire, 6LT
CP1-051212	1/2	120V, 1 PH, 2 Wire, 6LT	CP1-35733	3	575V, 3 PH, 3 Wire, 6LT
CP1-052034	1/2	208V, 3 PH, 4 Wire, 6LT	CP1-35734	3	575V, 3 PH, 4 Wire, 6LT
CP1-052313	1/2	230V, 1 PH, 3 Wire, 6LT	CP1-52033	5	208V, 3 PH, 3 Wire, 6LT
CP1-052333	1/2	230V, 3 PH, 3 Wire, 6LT	CP1-52034	5	208V, 3 PH, 4 Wire, 6LT
CP1-052334	1/2	230V, 3 PH, 4 Wire, 6LT	CP1-52213	5	220V, 1 PH, 3 Wire, 6LT
CP1-054833	1/2	480V, 3 PH, 3 Wire, 6LT	CP1-52333	5	230V, 3 PH, 3 Wire, 6LT
CP1-054834	1/2	480V, 3 PH, 4 Wire, 6LT	CP1-52334	5	230V, 3 PH, 4 Wire, 6LT
CP1-071212	3/4	120V, 1 PH, 2 Wire, 6LT	CP1-54833	5	460V, 3 PH, 3 Wire, 6LT
CP1-072034	3/4	208V, 3 PH, 4 Wire, 6LT	CP1-54834	5	460V, 3 PH, 4 Wire, 6LT
CP1-072313	3/4	230V, 1 PH, 3 Wire, 6LT	CP1-55733	5	575V, 3 PH, 3 Wire, 6LT
CP1-072333	3/4	230V, 3 PH, 3 Wire, 6LT	CP1-55734	5	575V, 3 PH, 4 Wire, 6LT
CP1-072334	3/4	230V, 3 PH, 4 Wire, 6LT	CP1-72033	7.5	208V, 3 PH, 3 Wire, 6LT
CP1-074833	3/4	480V, 3 PH, 3 Wire, 6LT	CP1-72034	7.5	208V, 3 PH, 4 Wire, 6LT
CP1-074834	3/4	480V, 3 PH, 4 Wire, 6LT	CP1-72333	7.5	230V, 3 PH, 3 Wire, 6LT
CP1-11212	1	115V, 1 PH, 2 Wire, 6LT	CP1-72334	7.5	230V, 3 PH, 4 Wire, 6LT
CP1-12033	1	208V, 3 PH, 3 Wire, 6LT	CP1-74833	7.5	460V, 3 PH, 3 Wire, 6LT
CP1-12034	1	208V, 3 PH, 4 Wire, 6LT	CP1-74834	7.5	460V, 3 PH, 4 Wire, 6LT
CP1-12213	1	220V, 1 PH, 3 Wire, 6LT	CP1-75733	7.5	575V, 3 PH, 3 Wire, 6LT
CP1-12333	1	230V, 3 PH, 3 Wire, 6LT	CP1-75734	7.5	575V, 3 PH, 4 Wire, 6LT
CP1-12334	1	230V, 3 PH, 4 Wire, 6LT	CP1-102033	10	208V, 3 PH, 3 Wire, 6LT
CP1-14833	1	460V, 3 PH, 3 Wire, 6LT	CP1-102034	10	208V, 3 PH, 4 Wire, 6LT
CP1-14834	1	460V, 3 PH, 4 Wire, 6LT	CP1-102333	10	230V, 3 PH, 3 Wire, 6LT
CP1-15733	1	575V, 3 PH, 3 Wire, 6LT	CP1-102334	10	230V, 3 PH, 4 Wire, 6LT
CP1-15734	1	575V, 3 PH, 4 Wire, 6LT	CP1-104833	10	460V, 3 PH, 3 Wire, 6LT
CP1-1.51212	1.5	120V, 1PH, 3 Wire, 6LT	CP1-104834	10	460V, 3 PH, 4 Wire, 6LT
CP1-1.52034	1.5	208V, 3PH, 4 Wire, 6LT	CP1-105733	10	575V, 3 PH, 3 Wire, 6LT
CP1-1.52213	1.5	220V, 1PH, 3 Wire, 6LT	CP1-105734	10	575V, 3 PH, 4 Wire, 6LT
CP1-1.52333	1.5	230V, 3PH, 3 Wire, 6LT			
CP1-1.52334	1.5	230V, 3PH, 4 Wire, 6LT			
CP1-1.54833	1.5	480V, 3PH, 3 Wire, 6LT			
CP1-1.54834	1.5	480V, 3PH, 4 Wire, 6LT			
CP1-21212	2	115V, 1 PH, 2 Wire, 6LT			
CP1-22033	2	208V, 3 PH, 3 Wire, 6LT			
CP1-22034	2	208V, 3 PH, 4 Wire, 6LT			
CP1-22213	2	220V, 1 PH, 3 Wire, 6LT			
CP1-22333	2	230V, 3 PH, 3 Wire, 6LT			
CP1-22334	2	230V, 3 PH, 4 Wire, 6LT			
CP1-24833	2	460V, 3 PH, 3 Wire, 6LT			
CP1-24834	2	460V, 3 PH, 4 Wire, 6LT			
CP1-25733	2	575V, 3 PH, 3 Wire, 6LT			
CP1-25734	2	575V, 3 PH, 4 Wire, 6LT			

Part No.	HP	Notes
----------	----	-------

Part No.	HP	Notes
----------	----	-------

CONTROL PACKAGES:

Includes fused disconnect with fuses, magnetic motor starter with overloads & 120 volt control coil, push button motor starter, 1/2" air solenoid valve with 120 volt coil, and 120 or 277 volt light switch. Some booths may require multiple control packages based on the fan configuration.

CP-051151	1/2	115V 1PH
CP-052083	1/2	208V 3PH
CP-052301	1/2	230V 1PH
CP-052303	1/2	230V 3PH
CP-054603	1/2	460V 3PH
CP-055753	1/2	575V 3PH
CP-071151	3/4	115V 1PH
CP-074603	3/4	460V 3PH
CP-101151	1	115V 1PH
CP-102083	1	208V 3PH
CP-102301	1	230V 1PH
CP-102303	1	230V 3PH
CP-104603	1	460V 3PH
CP-105753	1	575V 3PH
CP-151151	1.5	115V 1PH
CP-152083	1.5	208V 3PH
CP-152301	1.5	230V 1PH
CP-152303	1.5	230V 3PH
CP-154603	1.5	460V 3PH
CP-155753	1.5	575V 3PH
CP-201151	2	115V 1PH
CP-202083	2	208V 3PH
CP-202301	2	230V 1PH
CP-202303	2	230V 3PH
CP-204603	2	460V 3PH
CP-205753	2	575V 3PH

CP-302083	3	208V 3PH
CP-302301	3	230V 1PH
CP-302303	3	230V 3PH
CP-304603	3	460V 3PH
CP-305753	3	575V 3PH
CP-502083	5	208V 3PH
CP-502301	5	230V 1PH
CP-502303	5	230V 3PH
CP-504603	5	460V 3PH
CP-505753	5	575V 3PH
CP-752083	7.5	208V 3PH
CP-752303	7.5	230V 3PH
CP-754603	7.5	460V 3PH
CP-755753	7.5	575V 3PH
CP-1002083	10	280V 3PH
CP-1002303	10	230V 3PH
CP-1004603	10	460V 3PH
CP-1005753	10	575V 3PH

Part No.	Description	Notes
MISCELLANEOUS OVEN COMPONENTS		
Gaskets		
248-035	Tadpole	1/2" X 1 1/2" Tail (248-029), per Ft.
248-227	Tadpole	3/4" Seal, 2" Width
248-107	Seal Tape	.125 X 3.0 W, Fiberglass
260-109	Roll	Roll Vellumoid Segalite, per Ft
260-142	Paper	Burner 970F Unifrax Paper, per Ft
260-143	Paper	Burner 970J Unifrax Paper, Square Ft.
Flame Rod		
260-193	Flame Rod	For J83-DS 645700
260-194	Flame Rod	For J81A/J121A 641800
Burner Inserts		
450-001	Assembly	2.0 X 6.0
450-002	Assembly	4.0 X 4.0
450-003	Assembly	1.0 X 6.0
450-006	Assembly	.5 X 6.0
450-004	Housing	4 X 4
450-005	Housing	2.0 X 6.0
Burner Tube		
BT-18-7	Burner Tube	18"L X 7"H X 15.5"W
BT-18-9	Burner Tube	18"L X 9"H X 15.5"W
BT-24-7B	Burner Tube	24"L X 7"H X 10.5"W Baby
BT-36-7	Burner Tube	36"L X 7"H X 15.5"W
BT-36-9	Burner Tube	36"L X 9"H X 15.5"W
BT-6-7B	Burner Tube	6"L X 7"H X 10.5"W Baby
BT-EC-7	Burner Tube	End Cap 7"H X 15.5"W
BT-EC-7B	Burner Tube	End Cap 7"H X 10.5"W Baby
BT-EC-9	Burner Tube	End Cap 9"H X 15.5"W
Oven Ductwork		
501-181	Pyrostack	18" OD Weather collar
501-182	Pyrostack	18" OD X Roof flashing
501-183	Pyrostack	18" OD X 48" Long
501-184	Pyrostack (No Loss)	18" OD X 48" Long No loss rain cap
501-185	Damper	18" OD Barometric damper
501-221	Pyrostack	22" OD Weather collar
501-222	Pyrostack	22" OD X Roof flashing
501-223	Pyrostack	22" OD X 48" Long
501-224	Pyrostack (No Loss)	22" OD X 48" Long No loss rain cap
501-225	Damper	22" OD Barometric damper
501-501	Steel	18" OD Afterburner mild steel
501-507	Steel	22" OD Afterburner mild steel

Part No.	Description	Notes
Miscellaneous		
117-444	Chart Recorder	1 Pen
117-447	Recorder Paper	V24001660-005
117-448	Chart Recorder Pen	Red Recorder Pen (ea.) - Sold as 6 Pk
117-449	Chart Recorder Pen	Purple Recorder Pen (ea.)- Sold as 6 PK
117-453	Recorder Pen	Red Partlow Recorder Pen 60500402
208-422	Caster	2000# T90CR625VG BBO Cart
221-213	Clip Washer	2-1/2" Squared 10 Gauge Galvanized
221-214	Stud Insulation	Weld Pin 4.5"
221-215	Rivet	BBO Door Gasket
221-216	Stud Insulation	Weld Pin 5.0 Inch
238-1020	Nozzle	FOG 3/8-GG-SS-17W
238-1021	Nozzle	FOG 1/4-GG-SS-12W
238-1022	Nozzle	FOG 1/8-GG-SS-2.8W
238-1027	Nozzle	.125 Fog H-1/8-VV-SS-9503
248-033	Duraboard	.5 IN 24 X 48 each
248-120	Mineral Wool	8# Den 2 X 24 X 48, Square Ft
S7800A1001	Key Board Display	Formally Blu-Surf (117-666)
SSH-7734-K10	90 Degree Nozzle	Package of 10

Part No.	Description	Notes
LIGHTING		
Ballast		
230-032	Ballast	120V/40W STD T-12, 1289
230-127	Ballast	120V/32W T-8 1744
230-170	Ballast	Emergency 120/277V
ICN3P32SC	Ballast (Advanced)	120V/277V For 6 Tube 32W T-8
ICN4P32SC	Ballast (Advanced)	120V/277V For 4 Tube 32W T-8
L-140F-TP	Ballast	120V For (1) Neon Tube (36 - 40W)
QTP3X32T8	Ballast (Sylvania)	120V/277V For 6 Tube 32W T-8
QTP4X32T8	Ballast (Sylvania)	120V/277V For 4 Tube 32W T-8
R-2S34-TP	Ballast 120V	For (2) Neon Tubes 40W
Bulbs & Tubes		
51305300	Tube - Neon	TLD 36W/54 T8 25 per Case
111-076	Control Panel Bulb	Pilot Lamp, 120 Volt (Same as DL1CE130)
111-077	Control Panel Bulb	Pilot Lamp, 24 Volt (Same as DL1CE024)
230-082	Bulb	Incandescent 120V/150W
230-100	Bulb	Incandescent 120V/100W (Oven)
230-147	Bulb	Incandescent 120V/300W Standard Base
230-227	Bulb	75W/120V, Used with Incandescent Lights
230-279	Tube Fluorescent	25W 36" used w/LAB12-3-36, 30/Case [Case lots only]
230-281	Tube Fluorescent	32W T-8 Alto (F32T8/TL850) 30/Case [Case lots only]
230-283	Tube - Neon	F40C50 40W T-12 (24683-0) 30/Case
F32T8/TL950	Tube - Alto	32 W T-8 98CRI / 2000 L / 5000K, 25/Case
Light Fixtures		
600-001	Ceiling Mount	Incandescent 150-300W, Dome Style
230-065	Wall Mount	Vapor Tight 120/277V
230-160	Explosion Proof	2 Lamp, 4 Ft 120V/60W 60HZ
230-162	Explosion Proof	4 Lamp 4 Ft 120V/40W 60HZ
230-180	Explosion Proof	4 Lamp 4Ft 277V/40W 60HZ
230-181	Explosion Proof	4 Lamp 4 Ft 120V/60W 60HZ
230-183	Rear Access	4 Lamp 4 Ft 120V/60W 60HZ, T-12
230-306	Inside Access	2 Lamp T8 4 Ft, Slim Light 120V/32W
230-308	Inside Access	4 Lamp T8 4 Ft, Slim Light 120V/32W
230-400	Inside Access	2 Lamp T8 3 Ft, Slim Light 120V/25W (230-300)
230-405	Inside Access	4 Lamp T8 3 Ft, Slim Light 120V/25W
230-501	Inside Access	4 Tube, 4Ft with Bulbs & Whips 120V (230-328 & 230-500)
230-551	Rear Access	4 Tube, 4Ft with Bulbs & Whips 120V (230-343 & 230-550)
600-002	Wall Mount	Incandescent with Dome 150-300W
600-006	Ceiling Mount	Incandescent with Angle 150-300W
LAB12-4	Inside Access	4 Tuber Single Skin without Whips with End Clips
LAB12-6	Inside Access	6 Tube Single Skin without Whips with End Clips
LAB12-3-36	Inside Access	3 Tube, 3 Ft Advance Cure Tower Light, ETL Listed
LABW12-4	Inside Access	4 Tube with Bulbs & Glass 120V (LFMK4-120/277)
LABW12-6	Inside Access	6 Tube with Bulbs & Glass 120V (LFMK6-120/277)
LAC12-4	Corner Lights	4 Tube Fixture (1 each)
LAC12-6	Corner Lights	6 Tube Fixture (1 each)
LAR12-4	Inside Access	4 Tube with Bulbs & Glass 120V (LFMK4-120/277)
LAR12-6	Inside Access	6 Tube For Dual Skin Panel (Replaces LFK120-6)

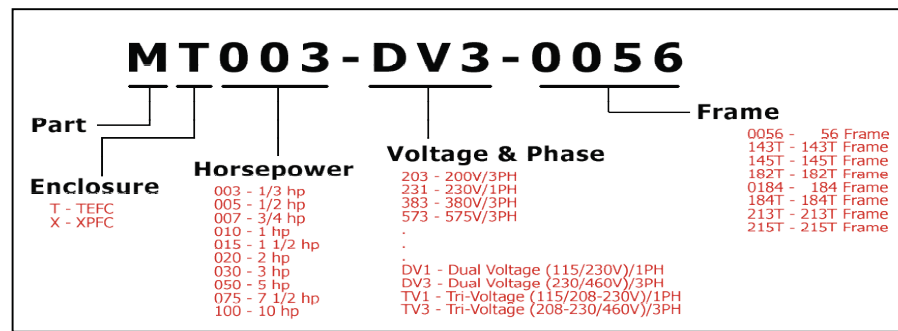
Part No.	Description	Notes
Other Lighting Componentets		
39410	Neon Tube Holder	Snap Type
230-004	Light Peel Off Cover	18", 100 Ft. per Roll
230-006	Glass - Tempered	.1875 X 15 X 53 Square Corners
230-034	Lamp Holder	with Spring
230-035	Lamp Holder	Fixed
230-165	Mounting Bracket	Ceiling/Wall, XP 2-Lamp
230-210	Light Peel Off Cover	12", 100 Ft. per Roll
230-211	Light Peel Off Cover	Dispenser Handle
9070T150D55	Isolation Control	Xmtf Isolation Control 120V
BS616	Bolt	6 X 20mm for Light Cover (6mm)
BWK8	Fixture Hardware	1 LT Fixture (8 ea. Cage Nuts, Flat Washers & Bolts)
DVA-5083-K5	Light Peel Off Cover	Clear View Glass Shield 48" X 18" (5 Sheets)
FS-4X	Starter	For (1) 36-40W Tube
GF-4	Glass & Frame	Single Skin for Both 4 & 6 Bulb Light
GF-6	Glass & Frame	For 6 Tube, Double Wall Only or Dual Skin 52" x 26.5"
KK-WHAB9-12	Wiring Harness	Booth 12 Lights
KK-WHAE9-2	Wiring Harness	Booth Extension 2 Lights
KK-WHPMR-2	Wiring Harness	Mix Room 2 Lights
KK-WHPRP-8	Wiring Harness	Prep 8 Lights
LWC0264	Raceway	Light Wiring Harness Channel
PRX8100	Proximity Actuator	Mounted on Glass Cover
PRX8200	Proximity Sensor	Mounted on Light Fixture
SS-00754-K25	Glass Clips	25 per Box
SS-37755	Lamp Holder	(Vossloh)
WH1	Wiring Harness	For one light
WHC4	Wiring Harness	Corner Lights (set of 4)

Part No.

Description

Notes

The model illustrates how the part number for a motor is developed



STANDARD MOTORS Single Phase

MT003-DV1-0056	1/3HP D-V	56FR, Replaces MO-5264, 234-012
MT005-DV1-0056	1/2HP D-V	56FR, Replaces MO-5363, 234-013
MT007-DV1-0056	3/4HP D-V	56FR, Replaces MO-5463, 234-014
MT010-DV1-0056	1HP D-V	56FR, Replaces 234-017
MT015-DV1-145T	1.5 HP Baldor	115/230 Nema, Replaces MO-6165
MT020-DV1-145T	2HP D-V	145TFR
MT030-DV1-184T	3HP D-V	184TFR, Replaces MO-6365, 234-018
MT050-231-184T	5HP 230V	184TFR
MT075-231-215T	7.5 HP Baldor	208/230 Nema, Replaces L3710T
CL3712T	10 HP Baldor	230V C-Face Nema

Three Phase

MT003-573-0056	1/3HP 575V	56FR, Replaces MO-5270
MT003-TV3-0056	1/3HP T-V	56FR, Replaces MO-5268, 234-001
MT005-573-0056	1/2HP 575V	56FR, Replaces MO-5369, 234-104
MT005-TV3-0056	1/2HP T-V	56FR, Replaces MO-5368, 234-002
MT007-573-0056	3/4HP 575V	56FR, Replaces MO-5469
MT007-TV3-0056	3/4HP T-V	56FR, Replaces MO-5468, 234-003
MT010-573-0056	1HP 575V	56FR
MT010-TV3-0056	1HP T-V	56FR, Replaces 234-004
MT010-TV3-143T	1HP T-V	143TFR, Replaces M3546T
MT015-TV3-145T	1.5 HP Baldor	230/460V Nema, Replaces MO-6166
MT020-TV3-145T	2HP T-V	145TFR, Replaces MO-6266, 234-007
MT020-573-145T	2HP 575V	145TFR, Replaces MO-6256, 234-096
MT030-573-182T	3HP 575V	182TFR, Replaces MO-6353, 234-086
MT030-TV3-182T	3HP T-V	182TFR, Replaces MO-6366, 234-008
MT050-573-184T	5HP 575V	184TFR, Replaces MO-6453, 234-047
MT050-TV3-184T	5HP T-V	184TFR, Replaces MO-6466, 234-009
MT075-203-213T	7.5HP 200V	213TFR, Replaces MO-6551, M3710T-8
MT075-573-213T	7.5HP 575V	213TFR, Replaces MO-6555, 234-088
MT075-TV3-213T	7.5HP T-V	213TFR, Replaces MO-6566, 234-010, M3710T
MT100-203-215T	10HP 200V	215TFR, Replaces MO-6651, MO-6680
MT100-573-215T	10HP 575V	215TFR, Replaces MO-6653
MT100-TV3-215T	10HP T-V	215TFR, Replaces MO-6666, 234-011, M3714T

Part No.	Description	Notes
----------	-------------	-------

EXPLOSION PROOF MOTORS

Single Phase

MX003-TV1-0056	1/3HP T-V	56FR, Replaces MO-5284, 234-033
MX005-DV1-0056	1/2HP D-V	56FR, Replaces MO-5393, 234-034
MX007-DV1-0056	3/4HP D-V	56FR, Replaces MO-5493, 234-035
MX010-DV1-0056	1HP D-V	56FR, Replaces 234-036
MX020-DV1-182T	2HP D-V	182TFR

Three Phase

MX003-TV3-0056	1/3HP T-V	56FR, Replaces 234-021
MX005-TV3-0056	1/2HP T-V	56FR, Replaces MO-5394, 234-022
MX007-TV3-0056	3/4HP T-V	56FR, Replaces MO-5494, 234-023
MX010-573-0056	1HP 575V	56FR, Replaces MO-6081
MX010-TV3-0056	1HP T-V	56FR, Replaces 234-024
MX020-573-145T	2HP 575V	145TFR, Replaces MO-6280
MX020-TV3-145T	2HP T-V	145TFR, Replaces MO-6285, 234-027
MX030-573-182T	3HP 575V	182TFR, Replaces MO-6379
MX030-TV3-182T	3HP T-V	182TFR, Replaces MO-6378, 234-028
MX050-573-184T	5HP 575V	184TFR, Replaces MO-6479
MX050-DV3-184T	5HP D-V	184TFR, Replaces MO-6478, 234-029
MX075-TV3-213T	7.5HP T-V	213TFR, Replaces MO-6578, 234-030
MX100-573-215T	10HP 575V	215TFR, Replaces MO-6679, 234-090
MX100-DV3-215T	10HP D-V	215TFR, Replaces MO-6678, 234-031

Weather tight, ventilated enclosure designed to protect the electric fan

410-001	12"	Motor Cover
XH-9070	18"	Motor Cover for GFA Models Only
XH-9071	24"	Motor Cover for GFA Models Only
410-009	30"	Motor Cover
XH-9072	34"	Motor Cover for GFA Models Only
410-010	36"	Motor Cover
XH-4090	40"	Motor Cover for GFA Models Only
410-006	42"	Motor Cover
410-007	48"	Motor Cover

OTHER

39075	10 HP Lafert	230/460V Wye, Delta Metric Ft Mount
117-527	Control Motor	90 Degree Stroke 30 SEC
234-499	7.5 HP	208-460 IEC F-M D/T Special Drilled & Tapped Shaft (Replaces MM3710)
234-500	10 HP Baldor	230/460V Metric Ft. Mount (Special), Drilled & Tapped Shaft (Replaces MM3714 & 39075)
242-193	Modutrol Motor	120V Modulating
260-203	1/2 HP Blower Motor	1PH, 56C-Face, 110/208-230 V 60HZ Drip Proof
260-204	Motor	For J81 & J83 646400
260-205	Motor	For J121-A3 644350
39074	7.5 HP Lafert	230/460V Wye, DeltaMetric Ft Mount.
9MO0454	7.5 HP Lafert	230/460V C-Face Nema
9MO0464	10 HP Lafert	230/460V C-Face Nema
MOD-230513	5 HP Baldor	2 Speed, 2 Winding 230V
VM2333T	15 HP	230/460 C-Face
VM3700G1	10 HP	1725 RPM TEFC 215 TC Nema C-Face, No Base
VM3714T	10 HP Baldor	230/460V

Part No.	Description	Notes
<div style="display: flex; justify-content: space-around;"> <div style="border: 1px solid black; padding: 5px;"> <h2 style="text-align: center; margin: 0;">GFA - 24VP - 015</h2> <div style="display: flex; justify-content: space-between; margin-top: 10px;"> <div style="width: 30%;"> <p>Part <small>Global Fan Assy</small></p> <p>Tub Size</p> <ul style="list-style-type: none"> 18 - 18" 24 - 24" 31 - 31" 40 - 40" 48 - 48" </div> <div style="width: 35%; text-align: center;"> <p>Drive/Motor Pulley Pitch</p> <p><small>VP = VARIABLE PITCH</small></p> </div> <div style="width: 30%;"> <p>Horsepower</p> <ul style="list-style-type: none"> 003 - 1/3 hp 005 - 1/2 hp 007 - 3/4 hp 010 - 1 hp 015 - 1 1/2 hp 020 - 2 hp 030 - 3 hp 050 - 5 hp 075 - 7 1/2 hp 100 - 10 hp </div> </div> </div> </div> <div style="border: 1px solid black; padding: 5px; margin-left: 20px;"> <h2 style="text-align: center; margin: 0;">TAB - 30 - 030</h2> <div style="display: flex; justify-content: space-between; margin-top: 10px;"> <div style="width: 45%;"> <p>TAB Fan part prefix</p> <p>Diameter</p> <ul style="list-style-type: none"> 12 - 12 in 18 - 18 in 24 - 24 in 30 - 30 in 36 - 36 in 42 - 42 in 48 - 48 in </div> <div style="width: 50%;"> <p>Horsepower</p> <ul style="list-style-type: none"> 003 - 1/3 HP 005 - 1/2 HP 007 - 3/4 HP 010 - 1 HP 015 - 1.5 HP 020 - 2 HP 030 - 3 HP 050 - 5 HP 75 - 7.5 HP 100 - 10 HP </div> </div> </div>		

FANS & COMPONENTS

"GFA" Tube Axial Fans, Less Motor

18 Inch

GFA-18VP-003	1/3HP	Variable Pitch 24" H X 20 1/2" (OD), Includes Sheaves and Belts (Replaces MFA-18)
GFA-18VP-005	1/2HP	
GFA-18VP-007	3/4HP	
GFA-18VP-010	1HP	
GFA-18VP-020	2HP	

24 Inch

GFA-24VP-010	1HP	Variable Pitch 24" H X 26 7/8" (OD), Includes Sheaves and Belts (Replaces MFA-24)
GFA-24VP-020	2HP	
GFA-24VP-030	3HP	

30 Inch

GFA-30VP-020	2 HP	Variable Pitch 30" H X 33" (OD)
GFA-30VP-030	3 HP	
GFA-30VP-050	5 HP	

34 Inch

GFA-34VP-020	2HP	Variable Pitch 30" H X 37" (OD), Includes Sheaves and Belts (Replaces MFA-34)
GFA-34VP-030	3HP	
GFA-34VP-050	5HP	

40 Inch

GFA-40VP-050	5HP	Variable Pitch 30" H X 43" (OD), Includes Sheaves and Belts (Replaces MFA-40)
GFA-40VP-075	7.5HP	

"TAB" Tube Axial Fans, Less Motor

12 Inch

TAB-12-003	1/3HP	Variable Pitch 18" H X 14.88" (OD) (206-513LM)
------------	-------	--

18 Inch

TAB-18-003	1/3HP	Variable Pitch 22" H X 21.63" (OD)
TAB-18-005	1/2HP	
TAB-18-007	3/4HP	
TAB-18-010	1HP	
TAB-18-020	2HP	

24 Inch

TAB-24-003	1/2HP	Variable Pitch 23" H X 27.63" (OD)
TAB-24-007	3/4HP	
TAB-24-010	1HP	
TAB-24-020	2HP	
TAB-24-030	3HP	

Part No.	Description	Notes
30 Inch		
TAB-30-007	3/4HP	Variable Pitch 24" H X 33.63" (OD)
TAB-30-010	1HP	
TAB-30-020	2HP	
TAB-30-030	3HP	
TAB-30-050	5HP	
36 Inch		
TAB-36-10	1HP	Variable Pitch 29" H X 39.63" (OD) (Replaces 206-536)
TAB-36-20	2HP	
TAB-36-30	3HP	
TAB-36-50	5HP	
TAB-36-75	7.5HP	
42 Inch		
TAB-42-20	2HP	Variable Pitch 30" H X 45.75" (OD) (Replaces 206-542)
TAB-42-30	3HP	
TAB-42-50	5HP	
TAB-42-75	7.5HP	
TAB-42-100	10HP	
48 Inch		
TAB-48-20	2HP	Variable Pitch 33" H X 52.75" (OD) (Replaces 206-548)
TAB-48-30	3HP	
TAB-48-50	5HP	
TAB-48-75	7.5HP	
TAB-48-100	10HP	
Turbo Fans/Cones		
39028	7.5 HP Nema Shaft Fan	Hub Size is 1 3/8"
39029	10 HP Nema Shaft Fan	Hub Size is 1 3/8"
39030	7.5 HP Metric Shaft Fan	Hub Size is 1 4/8"
39031	10 HP Metric Shaft Fan	Hub Size is 1 4/8"
9VE0269	15 HP Nema Shaft Fan	1-5/8" Hub
9VE0278	15 HP Shroud	(39031C)
Mix Room Fans		
206-026	Aux. Exhaust Fan	1210 cfm 8.6Amps (replaces 4C831)
206-241	Paint Mix Room Fan	7.5 - 5A 1 Ph
206-260	Wheel Blower	.25 HP 1PH, 120/230V
4C83	Intake Fan	Only 1210 cfm
BLR-409	Delhi Blower	
MPK1000	Pressurizing Kit	
FAN ASSEMBLIES		
Fan Blades Only		
216-699	Fan Blade	TAB-12 Greenheck Fan
216-700	Fan Blade	TAB-18 Greenheck Fan
216-702	Fan Blade	TAB-24 Greenheck Fan
216-703	Fan Blade	TAB-30 Greenheck Fan
216-704	Fan Blade	TAB-36 Greenheck Fan
216-705	Fan Blade	TAB-42 Greenheck Fan
30-418	Fan Blade	18"
30-424	Fan Blade	24"
30-434	Fan Blade	34"

Part No.	Description	Notes
30-442	Fan Blade	42"
FBA-17	17.5" Fan Blade Assembly	5 Blades incl. Bushing
FBA-24	24" Fan Blade Assembly	5 Blades incl. Bushing
FBA-34	34" Fan Blade Assembly	6 Blades incl. Bushing
FBA-40	40" Fan Blade Assembly	6 Blades incl. Bushing
FBA-48	48" Fan Blade Assembly	4 Blades (Replaces JL-495)
FBUA-24S	24" Fan Blade Assy.	Smaller Diameter
GFB-18	18" Fan Blade Assembly	10 Blades, New Style (FB-1780-10B)
GFB-24	24" Fan Blade Assembly	10 Blades, New Style (FB-2375-10B)
GFB-30	30" Fan Blade Assembly	8 Blades, New Style
GFB-34	34" Fan Blade Assembly	7 Blades, New Style (FB-3365-7B)
GFB-40	40" Fan Blade Assembly	7 Blades, New Style (FB-3960-7B)
JK484	42" Fan Blade Assembly	4 Blades

Fan Bushings

213-081	SH X 1.00 TB Woods	
213-445	SDSX1	
TBG-125	1-1/6" Bushing	Used on FBA 34, FBA 40
TBG-158	5/8" Bushing	Used on FBA 17
TBG-937	5/16" Bushing	Used on FBA 24

Bearing, Shaft & Pulley Assemblies

212-100	18", 24", 27"	Bearing Hub Assembly, JBI 1995 and Newer
212-110	34", 42", 48"	Bearing Hub Assembly, JBI 1995 and Newer
JF-4688-3	17.5"	Bearing, Shaft & Pulley Assembly
JH-1824	18" & 24" New Style 2004	GFA Bearing, Shaft & Pulley Assembly (JH-2425)
JH-4193-2	24"	Bearing, Shaft & Pulley Assembly
JJ-3007	30"	GFA Bearing, Shaft & Pulley Assembly
JJ-3413	34" New Style 2004	GFA Bearing, Shaft & Pulley Assembly
JJ-4041	40" New Style 2004	GFA Bearing, Shaft & Pulley Assembly
JJ-4214-2	34" & 40"	Bearing, Shaft & Pulley Assembly
JJ-4214-3	40"	Bearing, Shaft & Pulley Assembly
JK-4217-1	42" & 48"	Bearing, Shaft & Pulley Assembly

Bearings

20-2370	Bearings	For 18" Fan (2 Required)
20-2371	Bearings	For 24" Fan (2 Required)
20-2372	Bearings	For 34" & 42" Fan (2 Required)
213-599	Bearings	3/4" Greenheck Fan
213-600	Bearings	1" Greenheck Fan
213-601	Bearings	1 1/4" Greenheck Fan
213-602	Bearings	1 1/2" Greenheck Fan
213-603	Bearings	1 3/4" Greenheck Fan
30-120	Bearing Spacer	(Formally Binks)
30-122	Bearing Housing	24" (Formally Binks)
30-123	Bearing Housing	34" (Formally Binks)
30-32	Bearing Housing	(Formally Binks)

Belts

BT-170	For 17" diameter fan	37" Length
BT-240	For 24" diameter fan	49" Length
BT-242	For 24" diameter fan	52" Length
BT-248	B45 Belt	48" Length

Part No.	Description	Notes
BT-251	B48 Belt	51" Length
BT-340	For 34" diameter fan	64" Length
BT-342	For 34" diameter fan	66" Length
BT-400	For 40" diameter fan	71" Length
BT-401	For 40" diameter fan	74" Length

For additional Belts, Pulley's and Sheaves, contact GFS for pricing and availability.

Shafts

213-6091	Shaft	For 12", Greenheck
213-609	Shaft	For 18", Greenheck
213-610	Shaft	For 20", Greenheck
213-611	Shaft	For 24", Greenheck
213-612	Shaft	For 30", Greenheck
213-613	Shaft	For 36" & 42", Greenheck
213-614	Shaft	For 48", Greenheck
30-1119	Shaft	Discounted
30-16	Shaft	For 18" Fan (Formally Binks)
30-199	Shaft	For 48" Fan (Formally Binks)
30-328	Shaft	24"
30-329	Shaft	34"
30-330	Shaft	42"
30-1120	Shaft Assembly	Includes 2 Bearings

MISCELLANEOUS FAN COMPONENTS

30-13	Snap Ring	For 18" Fan (2 Required)
30-14	Snap Ring	For 24" Fan (2 Required)
30-15	Snap Ring	For 34" & 42" Fan (2 Required)
30-21	Fan Bolt	(Formally Binks)
30-62	1/4" Key	
30-63	1/8" Key	
30-94	1/4" Key	1-1/2" Length for Fan

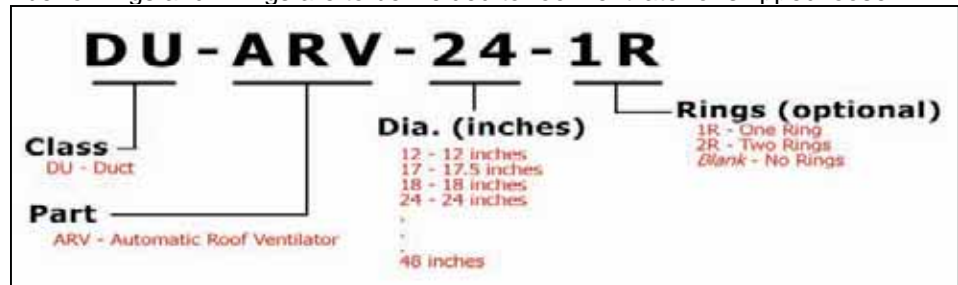
Fan Support Frame/Fan Stand For Flat or Pitched Roof Outdoor roof-mounted unit specifically designed to support the exhaust fan and connected exhaust stack. Global recommends using one for all outdoor roof-mounted exhaust fans. Constructed from angle iron and requires some assembly.

408-001	12" Wide	Flat Roof
JF-9018	18" Wide	Flat Roof
JH-9000	24" Wide	Flat Roof
408-018	30" Wide	Flat Roof
JJ-434	34" Wide	Flat Roof
408-015	36" Wide	Flat Roof
JJ-440	40" Wide	Flat Roof
408-006	42" Wide	Flat Roof
408-007	48" Wide	Flat Roof

Part No.	Description	Notes
----------	-------------	-------

DUCT WORK

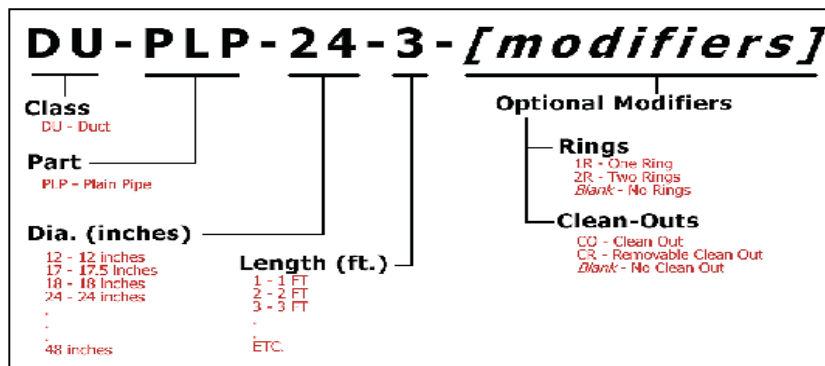
ROOF VENTILATOR: Design provides automatic protection against rain, snow and backdrafts for the exhaust system spray booth and operator. All sizes constructed from galvanized steel and may require Connector Rings and some assembly. Indicate the number of rings and if rings are to be welded to roof ventilator or shipped loose.



DU-ARV-10	10"	Less Connector Rings
DU-ARV-12	12"	Less Connector Rings (Replaces 630-001)
DU-ARV-16	16"	Less Connector Rings
DU-ARV-17	17.5"	Less Connector Rings (Replaces XH-4725)
DU-ARV-18	18"	Less Connector Rings (Replaces 630-002)
DU-ARV-24	24"	Less Connector Rings (Replaces 630-003, XH-4726)
DU-ARV-27	27"	Less Connector Rings (Replaces 630-005)
DU-ARV-28	28"	Less Connector Rings
DU-ARV-30	30"	Less Connector Rings (Replaces 630-006)
DU-ARV-34	34"	Less Connector Rings (Replaces 630-007 & XH-4727)
DU-ARV-36	36"	Less Connector Rings (Replaces 630-008)
DU-ARV-40	40"	Less Connector Rings (Replaces XH-4030)
DU-ARV-42	42"	Less Connector Rings (Replaces 630-009)
DU-ARV-48	48"	Less Connector Rings (Replaces 630-010)

EXHAUST DUCT

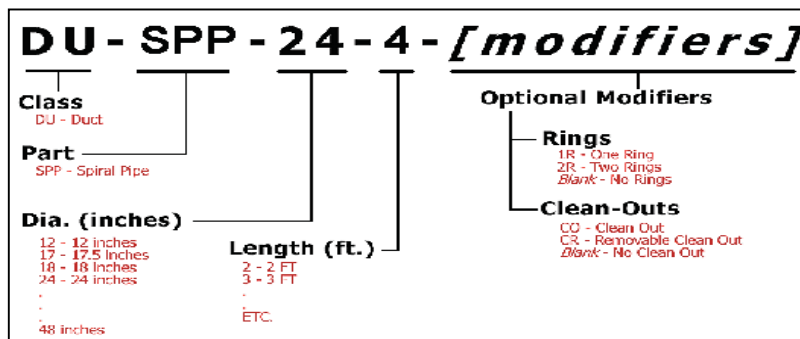
Plain: Straight 3' long section, with one end corrugated for easy installation. All sizes constructed from galvanized steel and require some assembly.



DU-PLP-12-3	12"	Less Access Door (Replaces 403-001)
DU-PLP-17-3	17.5"	Less Access Door
DU-PLP-18-3	18"	Less Access Door (Replaces 403-002)
DU-PLP-24-3	24"	Less Access Door (Replaces 403-003, XH-1499)
DU-PLP-27-3	27"	Less Access Door (Replaces 403-004)
DU-PLP-30-3	30"	Less Access Door (Replaces 403-037)
DU-PLP-34-3	34"	Less Access Door (Replaces 403-005, XH-60)
DU-PLP-36-3	36"	Less Access Door (Replaces 403-054)
DU-PLP-40-3	40"	Less Access Door (Replaces XH-4040)
DU-PLP-42-3	42"	Less Access Door (Replaces 403-006)
DU-PLP-48-3	48"	Less Access Door (Replaces 403-007)

Part No.	Description	Notes
Plain Duct with Access Door: Straight 3' long section with removable Access Door (CO) for inspection and cleaning. One end is corrugated for easy installation. (Universal Duct, is designed to be installed directly below (or prior to) the exhaust fan). All sizes are constructed from galvanized steel and require some assembly.		
DU-PLP-12-3-CO	12"	with Access Door (Replaces 403-008)
DU-PLP-17-3-CO	17.5"	with Access Door
DU-PLP-18-3-CO	18"	with Access Door (Replaces 403-009)
DU-PLP-24-3-CO	24"	with Access Door (Replaces 403-010, XH-4471)
DU-PLP-27-3-CO	27"	with Access Door (Replaces 403-011)
DU-PLP-30-3-CO	30"	with Access Door (Replaces 403-038)
DU-PLP-34-3-CO	34"	with Access Door (Replaces 403-012, XH-4472)
DU-PLP-36-3-CO	36"	with Access Door (Replaces 403-057)
DU-PLP-40-3-CO	40"	with Access Door (Replaces XH-4020)
DU-PLP-42-3-CO	42"	with Access Door (Replaces 403-013)
DU-PLP-48-3CO	48"	with Access Door (Replaces 403-014)

Spiral Duct: Sold by the foot, available in 2' to 8' lengths. All sizes constructed from galvanized steel, will require Connector Rings on each end (sold separately). Indicate the length, number of rings and if rings are to be welded to duct or shipped loose.



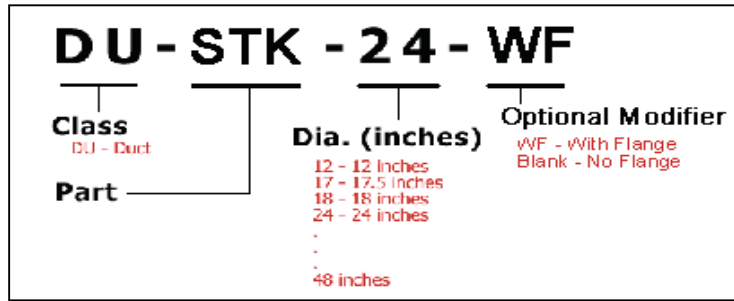
DU-SPP-12-___ - ___	12"	Less Access Door (Replaces 246-060)
DU-SPP-18-___ - ___	18"	Less Access Door (Replaces 246-069)
DU-SPP-24-___ - ___	24"	Less Access Door (Replaces 246-078, SP 24)
DU-SPP-30-___ - ___	30"	Less Access Door (Replaces 246-105)
DU-SPP-34-___ - ___	34"	Less Access Door (Replaces 246-123, SP 34)
DU-SPP-36-___ - ___	36"	Less Access Door (Replaces 246-133)
DU-SPP-40-___ - ___	40"	Less Access Door (Replaces SP 40)
DU-SPP-42-___ - ___	42"	Less Access Door (Replaces 246-150)
DU-SPP-48-___ - ___	48"	Less Access Door (Replaces 246-177)

CONNECTOR RINGS: For connecting the exhaust fan to other exhaust system stack components. Connector Ring price is not included in duct pricing unless indicated. Indicate the number of rings and if rings are to be welded to duct or shipped loose. One (1) connector ring is supplied with fan assemblies as standard.

409-112	12"
409-118	18"
FR-2411	24"
409-130	30"
FR-3411	34"
409-136	36"
FR-4011	40"
409-142	42"
409-148	48"

Part No.	Description	Notes
----------	-------------	-------

EXHAUST STACK KITS: Exhaust Stack Kits include: (3) 3ft-Plain Exhaust Duct sections, (1) 3ft-Universal Stack with Access Door, and (1) Roof Ventilator



DU-STK-12-WF	12"	with Flat Roof Flange
DU-STK-18-WF	18"	with Flat Roof Flange
DU-STK-24-WF	24"	with Flat Roof Flange
DU-STK-30-WF	30"	with Flat Roof Flange
DU-STK-34-WF	34"	with Flat Roof Flange
DU-STK-36-WF	36"	with Flat Roof Flange
DU-STK-40-WF	40"	with Flat Roof Flange
DU-STK-42-WF	42"	with Flat Roof Flange
DU-STK-48-WF	48"	with Flat Roof Flange

Less Roof Flange

DU-STK-12	12"	Less Roof Flange
DU-STK-18	18"	Less Roof Flange
DU-STK-24	24"	Less Roof Flange
DU-STK-30	30"	Less Roof Flange
DU-STK-34	34"	Less Roof Flange
DU-STK-36	36"	Less Roof Flange
DU-STK-40	40"	Less Roof Flange
DU-STK-42	42"	Less Roof Flange
DU-STK-48	48"	Less Roof Flange

ROOF FLANGES: Not recommended for corrugated metal roofs. Global recommends a custom curb on a roof pitch that exceeds 4" on 12", specify pitch when ordering.



Flat Roof Flange

DU-FRF-10-WC	10"	Flat Roof Flange, with Collar
DU-FRF-12-WC	12"	Flat Roof Flange, with Collar (Replaces 401-008)
DU-FRF-18-WC	18"	Flat Roof Flange, with Collar (Replaces 401-009)
DU-FRF-20-WC	20"	Flat Roof Flange, with Collar
DU-FRF-24-WC	24"	Flat Roof Flange, with Collar (Replaces 401-010)
DU-FRF-27-WC	27"	Flat Roof Flange, with Collar (Replaces 401-011)
DU-FRF-30-WC	30"	Flat Roof Flange, with Collar (Replaces 401-034)
DU-FRF-34-WC	34"	Flat Roof Flange, with Collar (Replaces 401-012)
DU-FRF-36-WC	36"	Flat Roof Flange, with Collar (Replaces 401-091)
DU-FRF-40-WC	40"	Flat Roof Flange, with Collar
DU-FRF-42-WC	42"	Flat Roof Flange, with Collar (Replaces 401-013)
DU-FRF-48-WC	48"	Flat Roof Flange, with Collar (Replaces 401-014)

Part No.	Description	Notes
ACCESS DOORS: Removable door for inspecting and cleaning duct work and the exhaust fan. Access door price is not included in duct price unless indicated.		
DU-SDD-1212	12"	
DU-SDD-1718	17" to 18"	
DU-SDD-2224	22" to 24"	
DU-SDD-2932	29" to 32"	
DU-SDD-3336	33" to 36"	
DU-SDD-3740	37" to 40"	
DU-SDD-4144	41" to 44"	
DU-SDD-4548	45" to 48"	

MUFFLERS: Exhaust Air mufflers will assist with site sound management. The units are to be installed between the exhaust system origination point and the exhaust fan. Each installed muffler can reduce the noise level from 2 - 5 dB in most situations. All sizes are manufactured from galvanized steel and acoustical sound attenuation materials, and included one fan connector ring.

MUF-18365	18"	Sound Management
MUF-24361	24"	Sound Management
MUF-34362	34"	Sound Management
MUF-40363	40"	Sound Management

BAFFLES: Required for rear exhaust applications.

EB1	12" to 24"
EB2	30" to 42"

AUTOMATIC SHUTTER: For exhausting through side of building. Non-motorized, gravity louvers built into a square housing. Includes square to round transition (Adapter Flange).

DU-SHW-12-12	12" x 12" w/AF
DU-SHW-18-18	18" x 18" w/AF (Replaces 630-015)
DU-SHW-24-24	24" x 24" w/AF (Replaces 630-016)
DU-SHW-27-27	27" x 27" w/AF (Replaces 630-017)
DU-SHW-30-30	30" x 30" w/AF (Replaces 630-018)
DU-SHW-36-34	36" x 36" w/AF 34 Duct (Replaces 630-019)
DU-SHW-36-36	36" x 36" w/AF 36 Duct (Replaces 630-062)
DU-SHW-42-40	42" x 42" w/AF 40 Duct (Replaces 630-036)
DU-SHW-42-42	42" x 42" w/AF (Replaces 630-020)
DU-SHW-48-48	48" x 48" w/AF (Replaces 630-021)

GUY WIRE KITS: Includes 50ft of 1/8" cable, anchors, turnbuckles and clamps for installation of 3 guy wires to exhaust stack. Connector Ring sold separately.

DU-GWK-12	12"	(Replaces 630-030)
DU-GWK-14	14"	
DU-GWK-16	16"	
DU-GWK-17	17.5"	
DU-GWK-18	18"	(Replaces 630-031)
DU-GWK-24	24"	(Replaces 630-032)
DU-GWK-27	27"	(Replaces 630-033)
DU-GWK-28	28"	
DU-GWK-30	30"	(Replaces 630-044)
DU-GWK-34	34"	(Replaces 630-035)
DU-GWK-36	36"	(Replaces 630-041)
DU-GWK-40	40"	
DU-GWK-42	42"	(Replaces 630-036)
DU-GWK-48	48"	(Replaces 630-037)

Part No.	Description	Notes
----------	-------------	-------

RECTANGULAR DUCT

7002	Rectangular Duct for 15' Height	
7014	44" - 2 Flanges	
7017	44" X 36" Hi-Capacity 2 Flanges	
AIH3400	34"	Air Inlet Hood
AIH4326-25	Intake Cap 26" x 44"	
AIH4336	Intake Stackhead Hi-Capacity 36" x 44"	
HES4326-25	Exhaust Cap 26" x 44"	
HES4336	Exhaust Cap Hi-Capacity 36" x 44"	

DAMPERS & ACCESSORIES

2121	Brackets	BT1200 RC, Rod Brackets
39101	Pivot	Blk Plastic/Turbo Fan Dampers
39102	Pivot	Blk Plastic/Turbo Fan Dampers w/Square Drive
39103	Lever Arm	Blk Plastic/Turbo Fan Dampers
39106S	18"x 27"	OB Damper Retrofit/Turbo Fan - Sealed
39111	34" Square	OB Damper, BT / Pyramid on Exhaust
39112	43" x 25.5"	OB Damper, BT Recirc Group / 10% Open
39113	Damper Linkage	Retro Kit, Connection to Recirc Damper
39119	40" x 40"	OB Damper, Truck - Forced Dry Exhaust
39120S	14"x 27"	OB Damper Retrofit / Turbo Fan - Sealed
39121	25.5" x 59"	OB Damper, 4-Motor Group on Exhaust Duct
9030018	Rotation Plate	Plastic Bushings on Ultra Group
9040685	Main Damper	Recirculation, For Pre-Filter "ONLY" Group
9043079	Lever Arm	Connect Arm w/"U" Bolt, For Ultra Group #9043248
9043102	Intake	For Ultra Group #9043248
9043248	Ultra Damper	Recirculation For Pre / Post Filter Group
90603	Crank Arm	For BT/Pyramid Damper # 39111
90605	43" x 25.5"	OB Damper, BT Recirc / Sealed / 6 Motor
91100	Ball Joint	Used on Prep Extractor
BSH625	Bushing	Aluminum/Turbo Fan Dampers
DL145	Rod	BT1200 RC, Long
DL2104	Linkage Arm	BT1200 RC & IRC
DRE2104	Shaft Extension	BT1200 RC & IRC
DVA-5084	Drive Bushing	includes Collar, for Damper Motor
XH-3480	34"	Pneumatic Damper Kit with Access Door

VELOCITY CONE: Used in some jurisdictions to conform to exhaust velocity requirements.

DCW-24-21-12	Velocity Cone
DCW-34-24-38	Velocity Cone

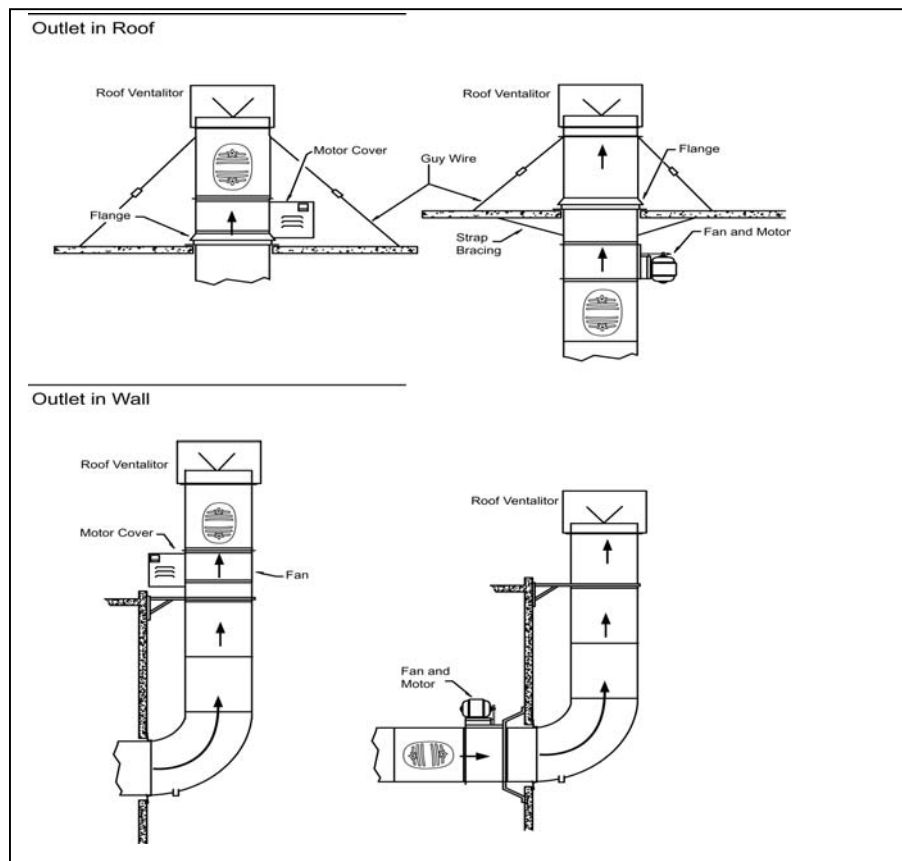
Part No.	Description	Notes
----------	-------------	-------

MISCELLANEOUS - These items will ship from Mexico

38124	Fan Extension Housing - 2	
DFA721928		Discharge Air Diffuser
DMR34	34"	Round Exhaust Balancing Damper Assy. (no controls)
ELB 24225-K2	24"	Offset Elbow, 22 1/2 Degree (Qty. 2)
ELB-24	24"	90 Degree Elbow 1/2 Throat
ELB-34	34"	90 Degree Elbow 1/2 Throat
ELB34225-K2	34"	Offset Elbow, 22 1/2 degree (Qty. 2)
TRS1010	Duct Transition	Auxiliary Exhaust Fan - Square to 10" Round
XH-4273	24"	Collar and Plate Assembly
XH-4274	34"	Collar and Plate Assembly
XH-4277	40"	Collar and Plate Assembly
XH-60	34"	34" Duct section - 3 ft. (for intake or exhaust)
XH-9091	10" Pipe	90 Degree Elbow
XH-9093	10" Pipe	Roof Flange, Fireproof 0 Degree
XH-9094	10" Pipe	Stack Flashing, Storm Collar
XH-9095	10" Pipe	Bake Exhaust Stack

TYPICAL DUCT INSTALLATIONS

Different components are used to make up the systems shown. The diagrams below illustrate how the different components are used to make up the several systems. All motor and fan locations must be decided before installation, to ensure proper hardware is equipped with the booth. For unusual applications consult Global for recommendations.



Note:
Check with your local area inspector for code compliance. The stack should be cleaned periodically depending on usage. This will insure efficient operation and less on the danger of fire when combustible materials have been used.

Part No.	Description	Notes
DOORS		
Seals		
248-002	Seal Tape	.50 X .75 Open Cell
248-003	Seal Tape	.50 X .25 Closed Cell per Ft.
248-004	Seal Tape	.50 X .50 Closed Cell per Ft.
248-007	Tape Butyl	3/16" X 5/8" Wide 30' Roll (ea.)
248-011	Rubber Strip	.125 X 3.0 W per Ft.
248-012	Rubber Strip	.125 X 4.0 W per Ft.
248-013	Rubber Strip	.125 X 5.0 W per Ft.
248-014	Rubber Strip	.125 X 6.0 W per Ft.
248-021	Rubber Strip	.125 X 8.0 W per Ft.
248-023	Rubber Strip	.125 X 10.0 W per Ft.
248-082	Seal Tape	P Seal - EPDM Per Ft.
248-087	Tape Adhesive	1/4" X 3/4" Wide Open Cell per Ft.
248-089	Silicone Rubber	1/8" Thick X 5" Wide, per Ft.
248-095	Adhesive Tape	3/4 X 1" Open Cell, Press on #P8575
29-1480	Binks Door Wiper Seal	12'L x 3"W x 1/8"H (12 ft. Length)
29-1481	Binks Bi-Fold Seal	9' Lengths per Ft.
29-1482	Binks "T" Seal	9' Lengths per Ft.
29-1484	Binks "U" Seal	30' lengths per Ft.
39056	Blowtherm Door Seal	13' & 14' Cabins per Ft.
DGK-2000	Foam Tape	Double Skin Booths 3/4" X 3/4" X 25' (4/case)
KDS	Seal Kit Bi/Tri Fold	Old DeVilbiss only SDD, XD, CII, CIIC
SS-00748-K4	Black Rubber	S.S. Booths 15'x7"x1/8" (4/case)
SS-00749-K10	Foam Tape	S.S. Booths Grey 12-1/2'x3/4"x1-1/2 (10/case)
SS-00777	Foam Tape	.5 X .5 X 25 ft Roll (LT FXT) Per Ft. (was 12.5' roll)
SS-00777-K15	Foam Tape	15 Rolls, 25ft per Roll
SS-9688	V Seal	108" Long w/Retainer Strip
SS-9874-K15	Foam Tape	S.S. Booths Black 34'x1/4" x 3/8" (15/case)
Hinges		
208-029	Door Hinge	4W X 10L X .125T, Butt Hinge - Steel
208-029A	Hinge Pin	.375 Dia For #208-029
208-030	Hinge	2.5W X 10L X .125T Half Swaged St
208-030A	Hinge Pin	.375 Dia For 2.5W X 10L X .12
208-033	Door Hinge	1.75 W X 8 IN L, Butt Hinge - Steel
208-411	Door Hinge	5869X EBERHARD BBO
39035	Door Hinge	Outer Large 2 Eyelet Pers/Front
39036	Door Hinge	Inner 2 Eyelet Frontal
39037	Door Hinge	Inner 3 Eyelet Frontal
39046	Door Hinge	Outer Small 3 Eyelet Pers/Front
39057	Hinge Pin	Supplied with C-Clip HP62511 & SN12
DHA04110	Door Hinge Assembly Kit	Open - Concept Cure (Blowtherm)
DHA05111	Door Hinge Assembly Kit	Closed - Concept Cure (Blowtherm)
KHDC-2000	Center Door Hinge Kit	DeVilbiss System 2000
KHDS-2000	Side Door Hinge Kit	DeVilbiss System 2000
SN12	Snap Ring	Hinge Pin

Part No.	Discription	Notes
Handles & Latches		
208-037	Brixon Latch	#3P, Zinc
208-094	Brixon Latch	#2P Zinc
208-252	Handle	5" O/A LG Surface MTG ZN
208-413	Latch Kit	S-5654-XP24 EBERHARD BBO
39047	Door Handle	Metal/Personnel/Frontal
39049	Door Handle Pins	Pin and C- clip (Use w/39050)
39050	Door Closure Latch	Lever Lock
39051	Door Handle	White Plastic 6" Frontal (DH2555)
90602	Prep Filter Door Handle	Black Plastic
HBL-100	Brixon Latch	Used on older DeVilbiss & Binks
KDH	Door Handle Kit	DeVilbiss System 2000
SS-9679	Roller Latch & Striker	

Doors & Components

230-001	Observation Window	18"W x 24" Tempered Glass
230-195	Observation Window	24"W x 48" Tempered Glass
39034	Door Striker Plate	Short (Personnel Door)
39038	Door Striker Plate	Long (Frontal Doors)
39049	Door Handle Pin	Pin and Clip
640-101	Door Installation Kit	1 Kit Required per Door Installation
DP37A	Personell Door	Personnel Access Door 7' (additional)
DP38A	Personnel Door White	w/Frame and Hardware for Ultra Mix Room
DP38C	Personnel Door White	w/Frame and Hardware (3'W X 8'8"H) (replaces DP39C) Concept Mix Room
FFC234	Frame Crate	2 Slab Filter Door
FFC333	Frame Crate	3 Slab Solid Door
FFC344	Frame Crate	3 Wing Frontal
FFC401	Frame Crate	4 Wing Frontal
FRC212	Filter Door Frontal Crate	
FRC332	Frontal Crate 3 slabs	No Side Panels
FRC411	Frontal Crate 4 slabs	Includes 2 18" Side Panels
FRC41109	4 Wing Frontal	4 Slabs, No Side Panels
GL-9704	Glass - Tempered	19.5" X 49.5" X 4MM (Ea. Piece of Glass)
MDUG-36084	Personnel Access Door	36" W x 7' 0" H (includes installation kit)
MDUG-36084-O	Personnel Access Door w/ Window	36" W x 7' 0" H, with observation window (includes installation kit)
WK-1824	Observation Window	18" W x 24" H for Wall Panel or Product Door (412-018)
WK-1824- MANDOOR	Observation Window	18" W x 24" H for Personnel Door
WK-1848	Observation Window	18" W x 48" H for Wall Panel or Product Door

Part No.	Discription	Notes
Hardware		
208-024	Door Magnet	Older DeVilbiss (SS-01514)
39021	Door Eyelet	White Plastic 3 per Rod
39054	Door Lock with Key	
39055	Door Clicker	Personnel / Frontal Door ea.(2 Required)
39058	Door Shims	Brass Bushings for Hinge Pin
39061	Fusible Link	(Brass) for Fire Damper
39062	Fusible Link	(Sheet Metal) for Fire Damper
412-008	Bracket	Use 412-109
412-106	Bracket	For Prox Switch Personnel Door
412-107	Bracket	For Prox Switch Product Door
412-109	Bracket	For Shut-Off Prox Switch All Door
6MM CAGE NUT	Cage Nut	6MM (Light Cover)
9CA0105	Track Roller	
BH620	Bolt for Light Cover	(BS616) Used on Frontal (6mm x 20mm)
BH820	Hex Bolt	8MM - 1.25 x 20MM Hex Head Bolt
DH410	Hardware	for 4 Wing Frontal
LMA01109	Locking Mechanism	Kit, Less Rods
LR7544	Door Locking Rod	3/4" x 44" White
LR7551	Door Closing Rod	50-1/2"
NC8	Cage Nut	8MM-1.25
NH8	Hex Nut	8MM-1.25 Finished Zinc PLTD
PAN1236	Panel	Personnel Door Filler Panel
PMR-129	Door Closer	
PRT01140	Parts Track	(2 per Booth) Sold as Each
SS-02024	6" Foot Bolt	Older DeVilbiss
WF816	Flat Washer	8MM X 16 OD
WF820	Flat Washer	8MM X 20 OD

Part No.	Description	Notes
MISCELLANEOUS		
Weatherite Replacement Parts		
ACR-418	Damper Motor /Actuator	120V w/Linkage
ECD-1006	Cool Down Timer	WR-9024
ECR-1008	Control Relay 4PDT	WR-9029
ECR-1009	Control Relay 2PDT	WR-9030
ECT-1002	Cure Timer	WR-9028
EDS-1013	Temp Sensor	WR-9018
EFA-1023	Fire Eye Amplifier	WR-9021
EFR-1025	Flame Rod	WR-9039
EFS-1040	Air Flow Switch	WR-9002
EHS-1019	Hi Limit Thermostat	WR-9005
EMA-1011	Amplifier Maxitrol	WR-9017
ESP-1024	Spark Electrode	WR-9015
ETS-1004	Temp Selector Paint/Cure	WR-9019
WR-9001	Summer/Winter Switch	
WR-9009	Temp. Selector 55-90 degree	
WR-9010	Temp Selector 55-140 deg.	Limited Supply
WR-9023	Non Recycle Flame Relay	
WR-9033	Booth Light Switch	
WR-9053	Door Handle	"Lift & Turn"
WR-9054	Vent Lock Handle	

ITW DeVilbiss Spray Equipment

DAD-1	Dessicant Refill	
DAD-400	Humidity Indicator	
DAD-500	Dessicant Air Dryer	
DAD-8	Air Filter 74 Micron	
GA-288	Pressure Gauge	16 #, 2" Diameter
HAF-18	Auto. Mechanical Drain	
HAF-26	Baffle Kit	
HAF-28	Filter Element	Coalescing 55 cfm
HAF-404	Filter Change Indicator	
HAF-505	Coalescing Filter 55 cfm	
HAF-6	Element & O Ring Kit	100 scfm
HAF-8	Replacement Plastic Bowl	100 scfm
HAR-502	Obsolete	use HAR-511
HAR-507	Air Regulator 60 CFM	
HAR-508	Regulator 0-125 PSI	
HAR-511	Regulator 60 SCFM	
MPV-424	Quick Release Socket	
MPV-530	Breathable Air Hose Assy.	30'
MPV-550	Breathable Air Hose 50'	
MPV-625	Air Supplied Respirator	
MPV-651	Breathable Air System	Complete includes DAD-503

Other ITW Devilbiss items available upon request, these are the most requested items.

Part No.	Description	Notes
Spray Booth Accessories		
218-001	Booth Box2	with Mounting Hooks
218-002	Booth Box2	Magnetic
218-003	Single Spray GunHanger	with Mounting Fasteners
218-004	Single Spray GunHanger	Magnetic
218-005	Booth Box Mini	with Mounting Fasteners
218-006	Booth Box Mini	Magnetic
218-007	Booth Shelf CM	with Mounting Fasteners
218-008	Booth Shelf WM	with Mounting Fasteners
218-009	Booth Shelf WM	Magnetic
218-010	4 GunHanger	with Mounting Fasteners
218-011	4 GunHanger	Magnetic
218-012	Hose & GunHanger	with Mounting Fasteners
218-013	Hose & GunHanger	Magnetic
218-014	Magahook	
218-015	Magahook 'U' Style	
218-017	Mini Magahook 'U' Style	
218-023	Test Panel Holder	with Clipboard
218-024	Test Panel Holder	No Clipboard
600-080	Introduction Kit - Standard	includes: 218-002, 218-006, 218-011, 218-013, 218-004, 218-014, 218-023
600-081	Introduction Kit - Economy	includes: 218-006, 218-013, 218-004, 218-014, 218-023

Water Wash/Washer

101-365	Nozzle	Shower Head
238-1011	Gasket	4" Dresser Coupler
238-827	Float Valve	.50 MPT - Brass
29-1101	Venturi	14" Diameter
29-1103	Nozzle 3TFXW-1120 Steel	3-1/2 turns 2" NPT
29-1170	Nozzle 3TFXW-4698 Steel	3 turns, 1-1/2" NPT
HUS-509-K25	Nozzle Turboclean	

Grates/Pans

GP-3136	Pit Grate	31" X 36" X 1 1/2" Black
GP-H-3136	Pit Grate	31" X 36" X 1 1/2"
GP-H-235	H-Grate	24" X 43" Black
PDT00	0% Pit Pan	
PDT15	15% Pit Pan	
PDT32	32% Pit Pan	
PDT50	50% Pit Pan	
PDT70	70% Pit Pan	
PWG2438	24" X 38"	Pit Wire Grid
PWG2736	27" X 36"	Pit Wire Grid

Floor Channels

FC02132	Floor Profile	4 Slab Frontal
FC02144	Floor Profile	144"
FC02168	Floor Channel	14 ft
FCC03120	Floor Channel	Cover - 3 Door
FCC03132	Floor Channel	Cover - 4 Door
FIP02144	Floor Channel	Inner Profile - 144"
FLC8-0480	48" Floor Channels	

Part No.	Description	Notes
FLC8-0680	68" Floor Channels	
FLC8-0700	70" Floor Channels	
FLC8-0720	72" Floor Channels	
FLC8-0920	92" Floor Channels	
FLC8-0960	96" Floor Channels	
FLC8-1160	116" Floor Channels	
FLC8-1200	120" Floor Channels	
FLC8-1440	144" Floor Channels	
FOP03144	Floor Profile	Outer - 144"
FOP03168	Floor Profile	Outer - 168"

Tie Angles (Corner Angles)

TAP120	Tie Angle	(Pre-Coat) 10 ft
TG4-0240	24" Tie Angles	(1L-24)
TG4-0360	36" Tie Angles	(1L-36)
TG4-0480	48" Tie Angles	(1L-48)
TG4-0600	60" Tie Angles	(1L-60)
TG4-0720	72" Tie Angles	(1L-72)
TG4-0840	84" Tie Angles	(1L-84)
TG4-0960	96" Tie Angles	(1L-96)
TG4-1080	108" Tie Angles	(1L-108)
TG4-1200	120" Tie Angles	(1L-120)
TG4-1440	144" Tie Angles	(1L-144)

Panels

PB24108	24" x 108" Panel	Single Skin White Panel
PB24120	24" x 120" Panel	Single Skin White Panel
PB24132	24" x 132" Panel	Single Skin White Panel
PB24144	24" x 144" Panel	Single Skin White Panel
PB2436	24" x 36" Panel	Single Skin White Panel
PB2448	24" x 48" Panel	Single Skin White Panel
PB2460	24" x 60" Panel	Single Skin White Panel
PB2472	24" x 72" Panel	Single Skin White Panel
PB2484	24" x 84" Panel	Single Skin White Panel
PB2496	24" x 96" Panel	Single Skin White Panel
PB36108	36" x 108" Panel	Single Skin White Panel
PB36120	36" x 120" Panel	Single Skin White Panel
PB36132	36" x 132" Panel	Single Skin White Panel
PB36144	36" x 144" Panel	Single Skin White Panel
PB3636	36" x 36" Panel	Single Skin White Panel
PB3648	36" x 48" Panel	Single Skin White Panel
PB3660	36" x 60" Panel	Single Skin White Panel
PB3672	36" x 72" Panel	Single Skin White Panel
PB3684	36" x 84" Panel	Single Skin White Panel
PB3696	36" x 96" Panel	Single Skin White Panel
PG8HS-24036	24" X 36" Panel	(2-2436)
PG8HS-24048	24" X 48" Panel	(2-2448)
PG8HS-24060	24" X 60" Panel	(2-2460)
PG8HS-24072	24" X 72" Panel	(2-2472)
PG8HS-24108	24" X 108" Panel	(2-24108)

Part No.	Description	Notes
PG8HS-24120	24" X 120" Panel	(2-24120)
PG8HS-24136	24" X 136" Panel	(2-24136)
PG8HS-24144	24" X 144" Panel	(2-24144)
PG8HS-30048	30" X 48" Panel	(2-3048)
PG8HS-30072	30" X 72" Panel	(2-3072)
PG8HS-30084	30" X 84" Panel	(2-3084)
PG8HS-30096	30" X 96" Panel	(2-3096)
PG8HS-30108	30" X 108" Panel	(2-30108)
PG8HS-30120	30" X 120" Panel	(2-30120)
PG8HS-30144	30" X 144" Panel	(2-30144)
PG8HS-36036	36" X 36" Panel	(2-3636)
PG8HS-36048	36" X 48" Panel	(2-3648)
PG8HS-36060	36" X 60" Panel	(2-3660)
PG8HS-36072	36" X 72" Panel	(2-3672)
PG8HS-36084	36" X 84" Panel	(2-3684)
PG8HS-36096	36" X 96" Panel	(2-3696)
PG8HS-36108	36" X 108" Panel	(2-36108)
PG8HS-36120	36" X 120" Panel	(2-36120)
PG8HS-36144	36" X 144" Panel	(2-36144)
PSI06108	Side Wall Panel, Dual Skin Insulated White (6" x 108")	
PSI36108	Side Wall Panel, Dual Skin Insulated White (36" x 108")	

Light Panels

PG8HD-36120	36" X 120" Light Panel	Double (2LA-36120-2)
PG8HD-36144	36" X 144" Light Panel	Double (2LA-36144-2)
PG8HL-24060	24" X 59 5/8" Light Panel	(2LA-2460)
PG8HL-24072	24" X 72" Light Panel	(2LA-2472)
PG8HL-24096	24" X 96" Light Panel	(2LA-2496)
PG8HL-24108	24" X 108" Light Panel	(2LA-24108)
PG8HL-24120	24" X 119 5/8" Light Panel	(2LA-24120)
PG8HL-36072	36" X 72" Light Panel	(2LA-3672)
PG8HL-36084	36" X 84" Light Panel	(2LA-384)
PG8HL-36096	36" X 96" Light Panel	(2LA-3696)
PG8HL-36108	36" X 108" Light Panel	(2LA-36108)
PG8HL-36120	36" X 120" Light Panel	(2LA-36120)
PG8HL-36144	36" X 144" Light Panel	(2LA-36144)
PL24120	24" x 120" Light Panel	Single Skin - Less Light
PL36108	36" x 108" Light Panel	Single Skin White - Less Light
PL36108-18	36" x 108" Light Panel	w/ Offset Opening, Single Skin - Less Light
PL36144	36" X 144" Light Panel	Single Skin White - Less Light
PL3660	36" x 60" Light Panel	Single Skin - Less Light
PL3672	36" X 72" Light Panel	Single Skin White - Less Light
PL3672-18	36" X 72" Light Panel	w/ Offset Opening, Single skin - Less Light
PL3684	36" X 84" Light Panel	Single Skin White - Less Light
PL3696	36" X 96" Light Panel	Single Skin White - Less Light
PLG36112	36" x 112" Light Panel	Dual Skin
PLG36132-1	36" x 132" Light Panel	Dual Skin
PLH36132-1	36" x 132" Light Panel	Professional
PLI36108	36" X 108" Light Panel	Dual Skin Insulated White - Less Light
PLI36108-18	36" X 108" Light Panel	Dual Skin Insulated White 18" from floor - Less Light

Part No.	Description	Notes
<i>Filter Racks</i>		
FRAG8-E2-20020	20" X 20" Filter Rack	
FRAG8-E2-20040	20" X 40" Filter Rack	
FRAG8-E2-20060	20" X 60" Filter Rack	
FRAG8-E2-20080	20" X 80" Filter Rack	
FRAG8-E2-20100	20" X 100" Filter Rack	
FRAG8-E2-20120	20" X 120" Filter Rack	
FRAG8-E2-20140	20" X 140" Filter Rack	
<i>Insulation</i>		
248-041	Mineral Wool	4# DEN 4 X 24 X 48, Per Foot
248-204	PV Board	FBX1900 1.0 X 24 X 36
<i>Other Miscellaneous</i>		
217-081	Booth Floor Covering	36" X 500' 70 Mil Fire Retardent Paper
217-083	Booth Floor Covering	60" X 500' 70 Mil Fire Retardent Paper
217-084	Booth Floor Covering	72" X 500' 70 Mil Fire Retardent Paper
221-139	Ratcheting Strap	1" W X 15' Long
236-020	Caulk	Acrylic Latex
236-040	Booth Coating	Solvent Base, Clear (5gal. Container)
236-041	Booth Coating	Solvent Base, White (5gal. Container)
AC-255	Laser Pointer	Laser Pointer for Nozzle Positioning
AC-266	Laser Pointer	Laser Pointer Holder for Nozzle Positioning
CLK1001	Caulk (white)	
LA301B	Label - "GFS" Logo (w/globe)	
LA302	Label - Globe 70 x 20	
LA303	Label - "Ultra" Red	
LA304	Label - "Expert" Red	
LA305	Label - "Concept" Red 31" x 4"	
LA307	Label - "Ultra Prep", Red	
LA308	Label - "Ultra Mix", Red	
LA312	Label - "Ultra Plus 1", Red	
LA313	Label - "Professional", Red	
LA323	Label - Stripe Red 85 x 3	
LBS310	Label Package - "GFS logo, Large globe, Red Stripe"	
LBS376	Label Package - "Mix Room Warning Labels"	
UPC1-01	Universal Parts Cart, 21" x 60" x 69" (6 or more carts \$307 ea.)	